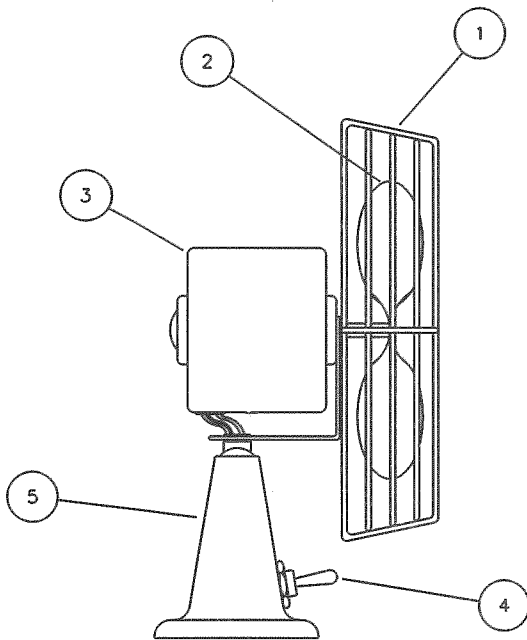


MARADYNE FANS

INSTALLATION INSTRUCTIONS AND REPAIR PARTS

The 1000, 2000, 3000, & 3200 Series Fans may be installed for windshield or rear window defrosting. For windshield installation, the fan may be mounted to the top of the instrument panel or above the windshield if there is sufficient sheet metal for mounting. The fan should be mounted so that it does not obstruct vision or controls.

- MODEL: 1000-12V** ALL CHROME PLATED, 12 VOLT TWO-SPEED MOTOR, CHROME WIRE GUARD, THREE POSITION TOGGLE SWITCH, 3-HOLE MOUNTING
- MODEL: 2001-12/24V** BLACK DIE CAST BASE, CHROME OR BLACK GUARD, HEAVY-DUTY 12 OR 24 VOLT TWO-SPEED MOTORS, THREE POSITION TOGGLE SWITCH, 3-HOLE MOUNTING
- MODEL: 2004-12/24V** SAME AS 2001 ABOVE EXCEPT ALL BLACK

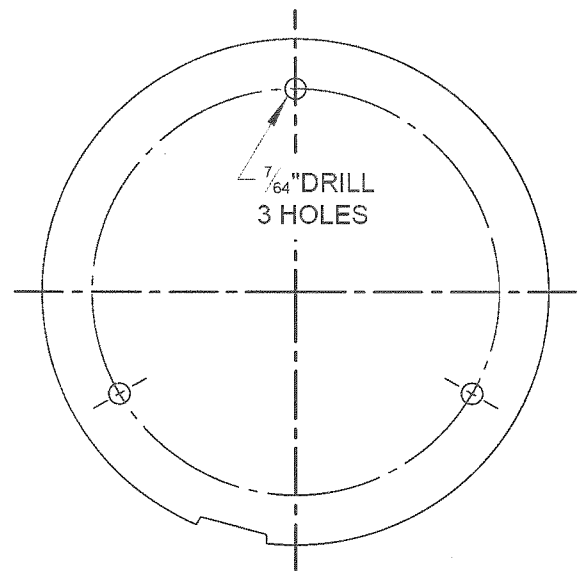


REPAIR PARTS: 2000 SERIES FANS

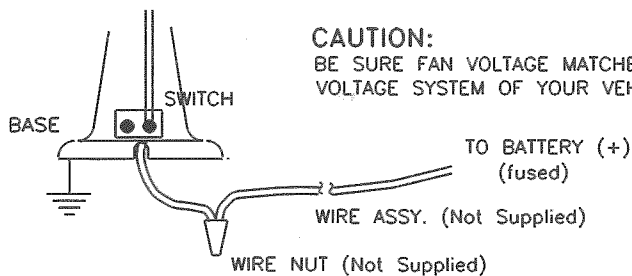
KEY	PART NO.	DESCRIPTION
1.	53097 53098 53028	GUARD ASSEMBLY (CHROME) GUARD ASSY (BLACK WIRE) GUARD ASSY (PLASTIC) (not shown)
2.	53030 53031 53029	FAN BLADE (ALUMINUM) FAN BLADE (BLACK) FAN BLADE (6" ALUMINUM) (not shown)
3.	53084 53086	MOTOR, 12 VOLT TWO SPEED MOTOR, 24 VOLT TWO SPEED
4.	53099	SWITCH, TOGGLE THREE POSITION
5.	53011	BASE ASSEMBLY

INSTALLATION: 1000 & 2000 SERIES FANS

1. YOUR MARADYNE FAN IS SUPPLIED WITH A BASE MOUNTED CONTROL SWITCH.
2. USE 3-HOLE TEMPLATE TO LOCATE MOUNTING AND DRILL $7/64$ " HOLES AS NEEDED.
3. MOUNT FAN USING THE #8 TAPPING SCREWS PROVIDED.
NOTE: IF FAN IS MOUNTED ON A NON-METALLIC SURFACE, A GROUND WIRE MUST BE PROVIDED TO BASE.
4. WIRE FAN AS SHOWN IN WIRING DIAGRAM TO A FUSED VEHICLE CIRCUIT THAT PROVIDES PROPER VOLTAGE.



3-HOLE TEMPLATE
for 1000 & 2000 Series Fans
(actual size)



WIRING DIAGRAM
for 1000 & 2000 Series Fans

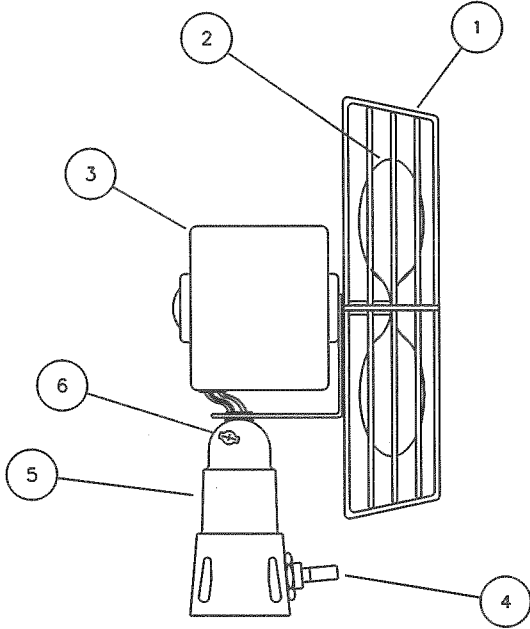
AMP REQUIREMENTS (approx.) for 1000, 2000, 3000, & 3200 Series Fans				
	12V	24V	36V	48V
HIGH	3.2	1.6	.8	.5
LOW	2.0	1.0	.5	.25

MODEL: 3000-12/24/36V
3100-12/24/36V

HEAVY-DUTY BLACK DIE-CAST BASE, CHROME GUARD,
HEAVY-DUTY 12, 24, OR 36 VOLT MOTOR,
VARIABLE SPEED RHEOSTAT SWITCH (REMOTE ON 3100 SERIES)

MODEL: 3200-12/24/36/48V
3200-**VB

HEAVY-DUTY BLACK DIE-CAST BASE, CHROME OR BLACK WIRE GUARD,
HEAVY-DUTY 12, 24, 36, OR 48 VOLT TWO-SPEED MOTOR,
THREE POSITION TOGGLE SWITCH (VB INDICATES ALL BLACK FAN)

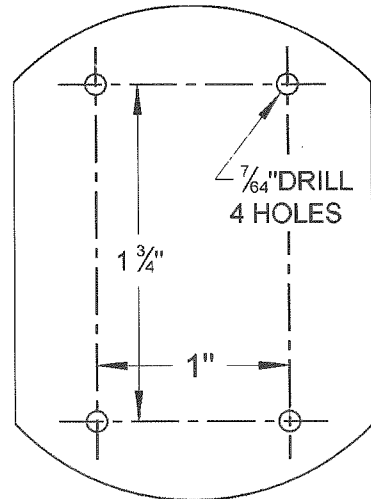


REPAIR PARTS: 3000 - 3200 SERIES FANS*

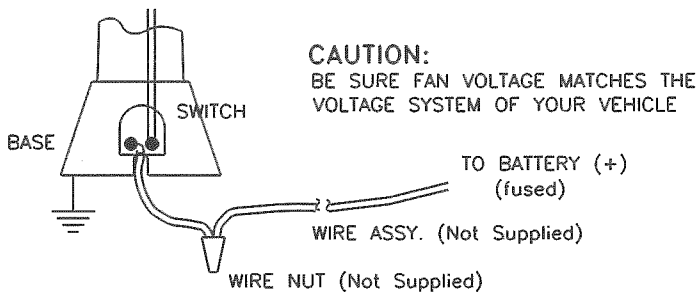
KEY	PART NO.	DESCRIPTION
1.	53097	GUARD ASSEMBLY (CHROME)
	53098	GUARD ASSEMBLY (BLACK)
2.	53030	FAN BLADE (ALUMINUM)
	53031	FAN BLADE (BLACK)
3.	53005	MOTOR, 12 VOLT VARIABLE SPEED
	53006	MOTOR, 24 VOLT VARIABLE SPEED
	53007	MOTOR, 36 VOLT VARIABLE SPEED
	53084	MOTOR, 12 VOLT TWO SPEED
	53086	MOTOR, 24 VOLT TWO SPEED
	53101	MOTOR, 36 VOLT TWO SPEED
	67960-G1	MOTOR, 48 VOLT TWO SPEED
	67811-G1	MOTOR, 12 VOLT TWO SPEED EXTERNAL GROUND
4.	53025	SWITCH, ROTARY VARIABLE SPEED
	53051-1	SWITCH, TOGGLE TWO SPEED
5.	53010	BASE ASSEMBLY
6.	53046	THUMB SCREW

INSTALLATION: 3000 - 3200 SERIES FANS*

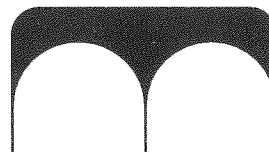
1. YOUR MARADYNE FAN IS SUPPLIED WITH A BASE MOUNTED CONTROL SWITCH (REMOTE ON 3100 SERIES.)
2. USE 4-HOLE TEMPLATE TO LOCATE MOUNTING AND DRILL 7/64" HOLES AS NEEDED.
3. MOUNT FAN USING THE #8 TAPPING SCREWS PROVIDED.
NOTE: IF FAN IS MOUNTED ON A NON-METALLIC SURFACE, A GROUND WIRE MUST BE PROVIDED TO BASE.
4. WIRE FAN AS SHOWN IN WIRING DIAGRAM TO A FUSED VEHICLE CIRCUIT THAT PROVIDES PROPER VOLTAGE.



4-HOLE TEMPLATE
for 3000 - 3200 Series Fans
(actual size)



WIRING DIAGRAM
for 3000 - 3200 Series Fans



MARADYNE
MOBILE PRODUCTS

4540 West 160th Street
Cleveland, Ohio 4435-2629

A DREISON INTERNATIONAL COMPANY

* Includes HADEES/HUPP Mobile Products
95, 96, 97, & 98 Series Fans

Phone: 216/265-8006

Sales Fax: 216/265-8340

e-mail: sales@dreison.com