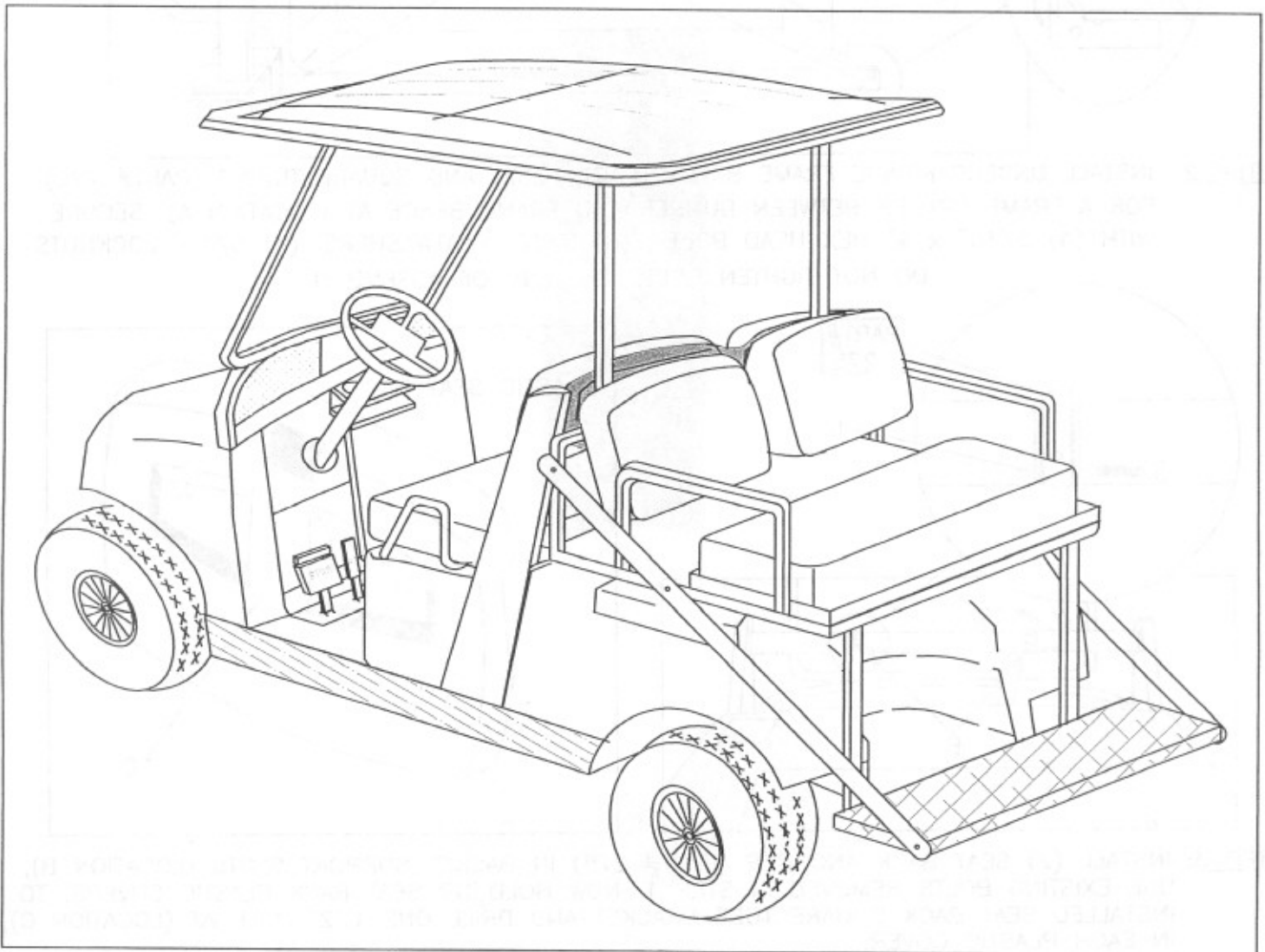


**M&M VEHICLE CORP.**  
**ECONOMY 4-PASSENGER PACKAGE**  
**Part# EC275G2**  
**YAMAHA G2/G9**  
**INSTALLATION INSTRUCTIONS**



**M & M VEHICLE CORP.**

19873 Hwy 22 W. Mexico MO 65265  
 573-581-4914

TITLE:

EC275G2/G9  
 INSTALLATION INSTRUCTIONS

NOTICE

THE INFORMATION CONTAINED HEREIN IS THE PROPERTY OF M & M VEHICLE CORP. AND IT SHALL NOT BE COPIED NOR USED IN ANY MANNER EXCEPT AS EXPRESSLY AUTHORIZED.

DRAWN BY:

RANDY HAERER

DATE:

AUG 21, 2006

DWG NO.

# 0689

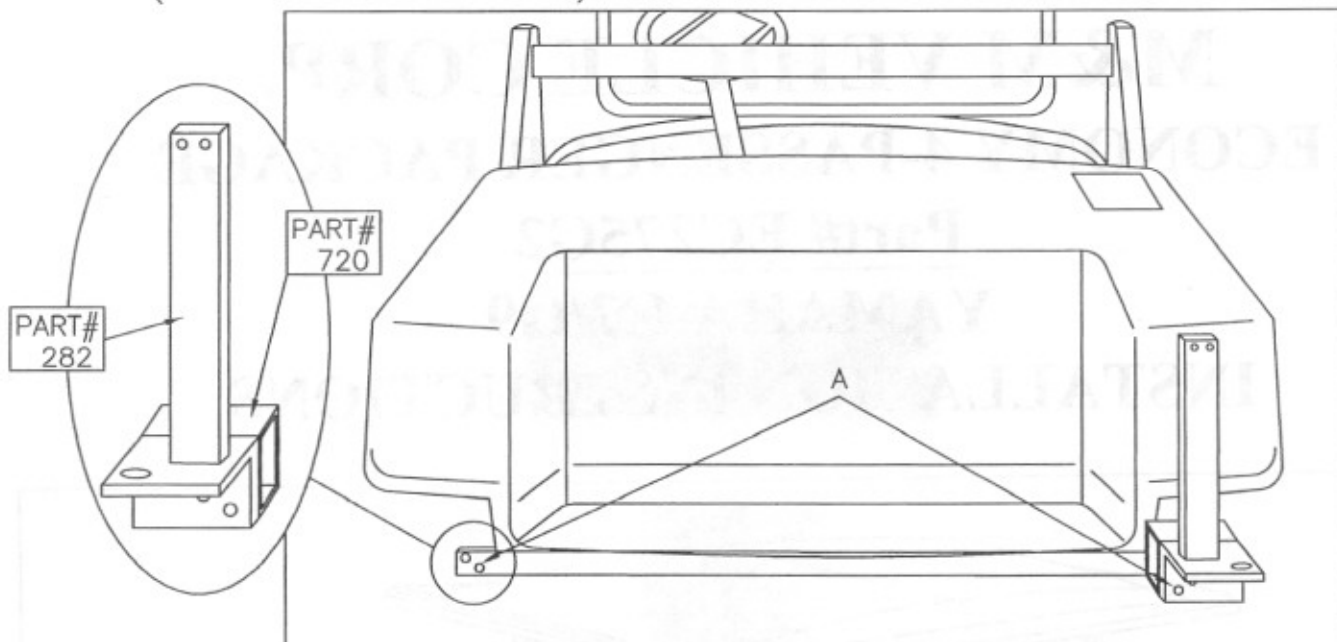
SHEET:

1 of 6

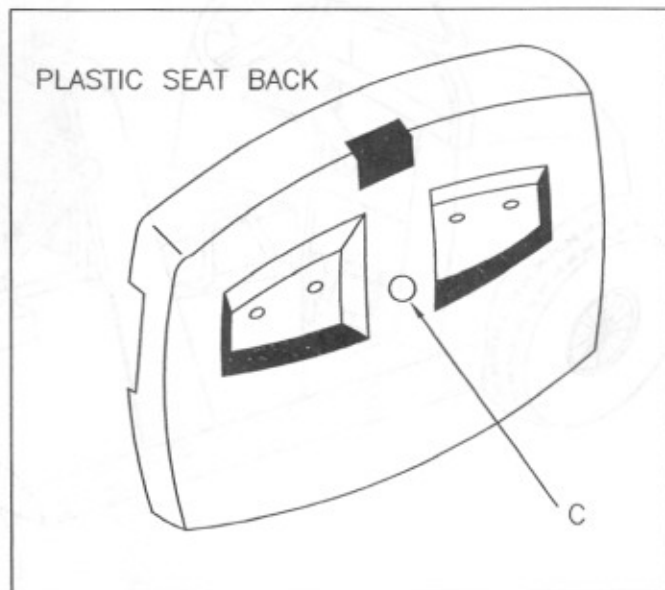
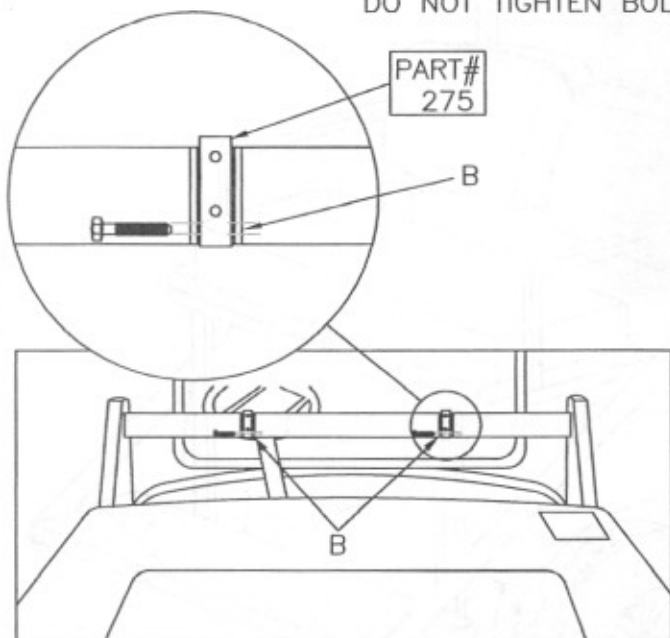
SCALE:

Not To Scale

**STEP 1:** REMOVE BASKET AND BASKET BRACKETS. ALSO REMOVE SEAT BACKS AND REAR BUMPER (SAVE BOLTS TO SEAT BACKS)



**STEP 2:** INSTALL UNDERCARRIAGE FRAME BRACE (PART# 282) AND SQUARE TUBING (PART# 720) FOR A FRAME SPACER BETWEEN BUMPER AND FRAME BRACE AT (LOCATION A). SECURE WITH (4) 5/16" x 4" HEX HEAD BOLTS, (8) 5/16" FLATWASHERS, (4) 5/16" LOCKNUTS. DO NOT TIGHTEN BOLTS TILL END OF ASSEMBLY!



**STEP 3:** INSTALL (2) SEAT BACK ANCHORS (PART# 275) IN BASKET SUPPORT SLOTS (LOCATION B), USE EXISTING BOLTS REMOVED IN STEP 1, NOW HOLD UP SEAT BACK PLASTIC COVERS, TO INSTALLED SEAT BACK SQUARE TUBE BRACKET AND DRILL ONE 1/2" HOLE AT (LOCATION C), IN EACH PLASTIC COVER. (MAKE SURE TO DRILL HOLE SO ITS LINED UP WITH THE LOWER SEAT BACK ANCHOR HOLE)

**M & M VEHICLE CORP.**

19873 Hwy 22 W. Mexico MO 65265  
573-581-4914

TITLE:

EC275G2/G9  
INSTALLATION INSTRUCTIONS

**NOTICE**

THE INFORMATION CONTAINED HEREIN IS THE PROPERTY OF M & M VEHICLE CORP. AND IT SHALL NOT BE COPIED NOR USED IN ANY MANNER EXCEPT AS EXPRESSLY AUTHORIZED.

DRAWN BY:

RANDY HAERER

DATE:

AUG 21, 2006

DWG NO.

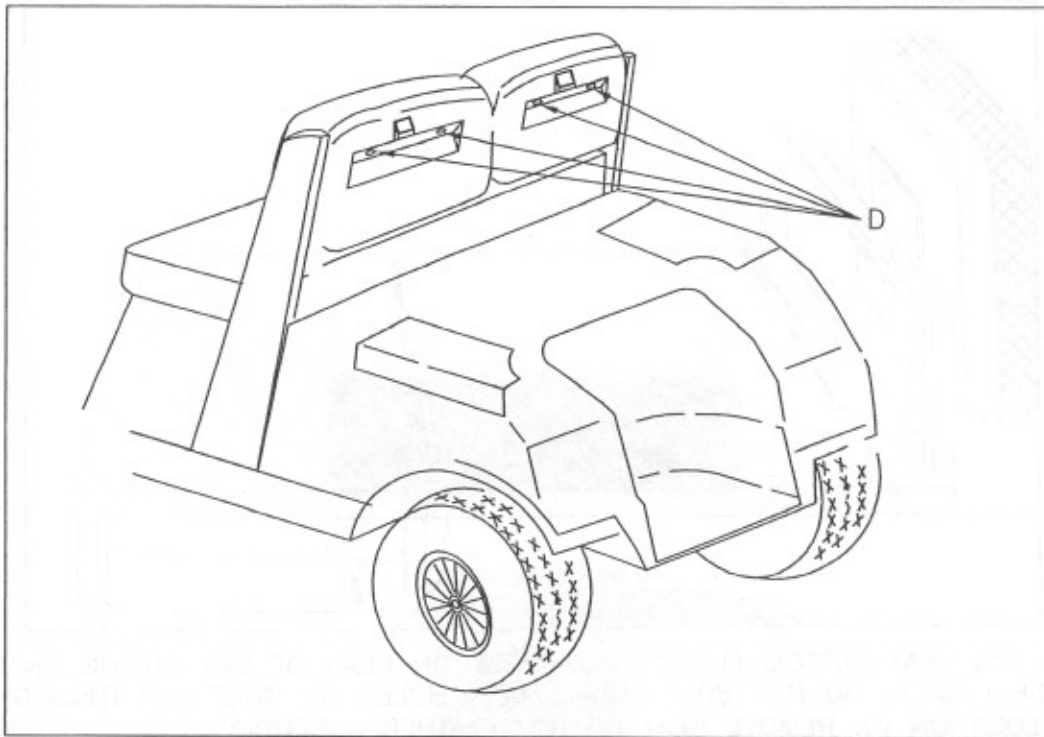
# 0689

SHEET:

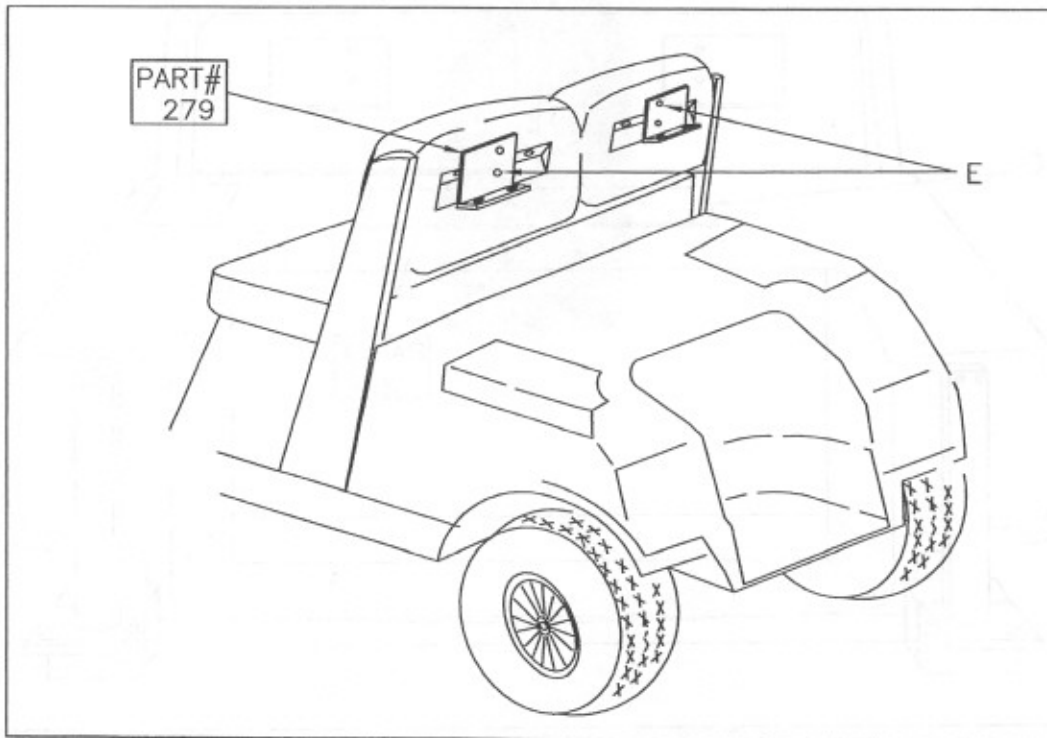
2 of 6

SCALE:

Not To Scale



**STEP 4:** REINSTALL SEAT BACKS TO SEAT BRACKET USING FACTORY BOLTS (LOCATION D). SEAT BACKS WERE REMOVED IN STEP 1.



**STEP 5:** INSTALL ALUMINUM SEAT BACK TOP SUPPORT BRACKETS (PART# 279). (LOCATION E) TO THE SEAT BACK ANCHORS INSIDE THE SEAT ASSEMBLY.  
 USING: (4) 1/4" x 3/4" HEX HEAD BOLTS, (4) 1/4" LOCKWASHERS, (4) 1/4" FLATWASHERS

**M & M VEHICLE CORP.**

19873 Hwy 22 W. Mexico MO 65265  
 573-581-4914

TITLE:

EC275G2/G9  
 INSTALLATION INSTRUCTIONS

NOTICE

THE INFORMATION CONTAINED HEREIN IS THE PROPERTY OF M & M VEHICLE CORP. AND IT SHALL NOT BE COPIED NOR USED IN ANY MANNER EXCEPT AS EXPRESSLY AUTHORIZED.

DRAWN BY:

RANDY HAERER

DATE:

AUG 21, 2006

DWG NO.

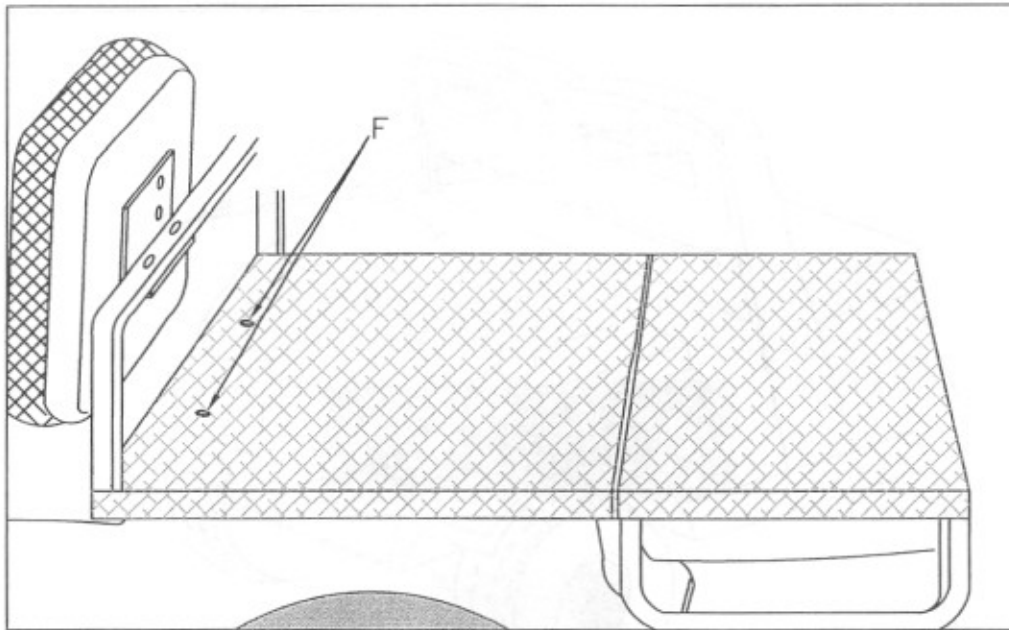
# 0689

SHEET:

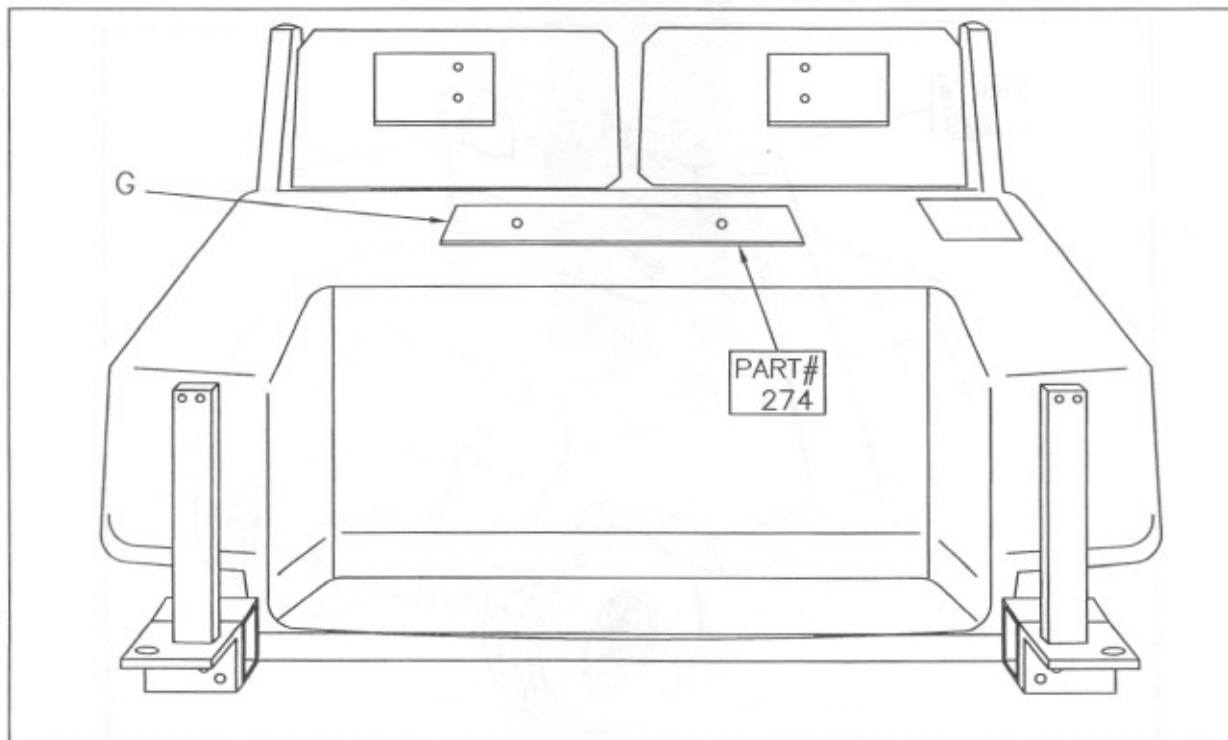
3 of 6

SCALE:

Not To Scale



**STEP 6:** POSITION SEAT BOTTOM FLATBED ASSEMBLY ON REAR OF CAR SITTING ON L-BRACKET OF SEAT BACK, DO NOT BOLT DOWN. MARK HOLES ON GOLF CAR THROUGH FLATBED AT (LOCATION F). REMOVE SEAT BOTTOM FLATBED ASSEMBLY, AND DRILL (2) 3/8" HOLES THROUGH BODY AT MARKED LOCATIONS.



**STEP 7:** LAY DOWN FLAT SUPPORT BRACKET (PART# 274)(LOCATION G) LINE UP OVER HOLES JUST DRILLED IN THE REAR BODY OF THE GOLF CAR.

**M & M VEHICLE CORP.**

19873 Hwy 22 W. Mexico MO 65265  
573-581-4914

TITLE:

EC275G2/G9  
INSTALLATION INSTRUCTIONS

**NOTICE**

THE INFORMATION CONTAINED HEREIN IS THE PROPERTY OF M & M VEHICLE CORP. AND IT SHALL NOT BE COPIED NOR USED IN ANY MANNER EXCEPT AS EXPRESSLY AUTHORIZED.

DRAWN BY:

RANDY HAERER

DATE:

AUG 21, 2006

DWG NO.

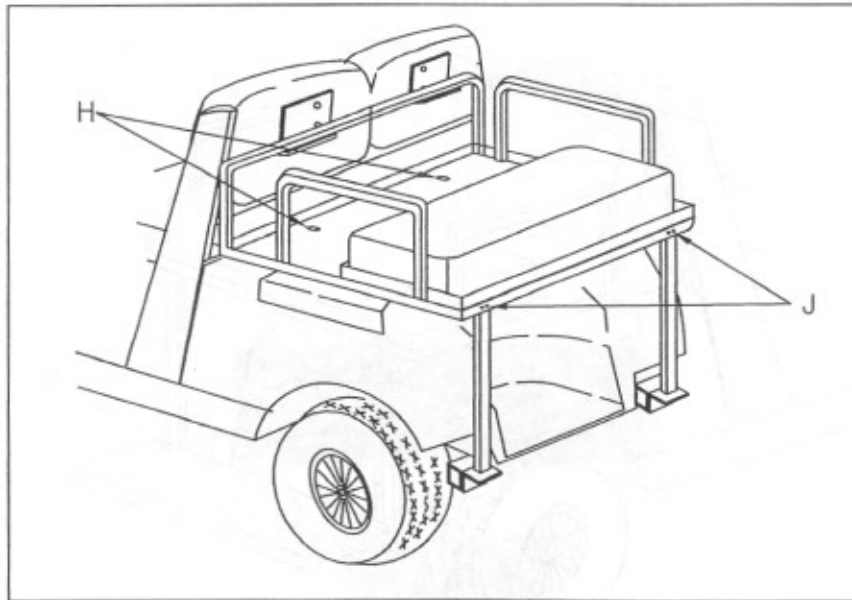
# 0689

SHEET:

4 of 6

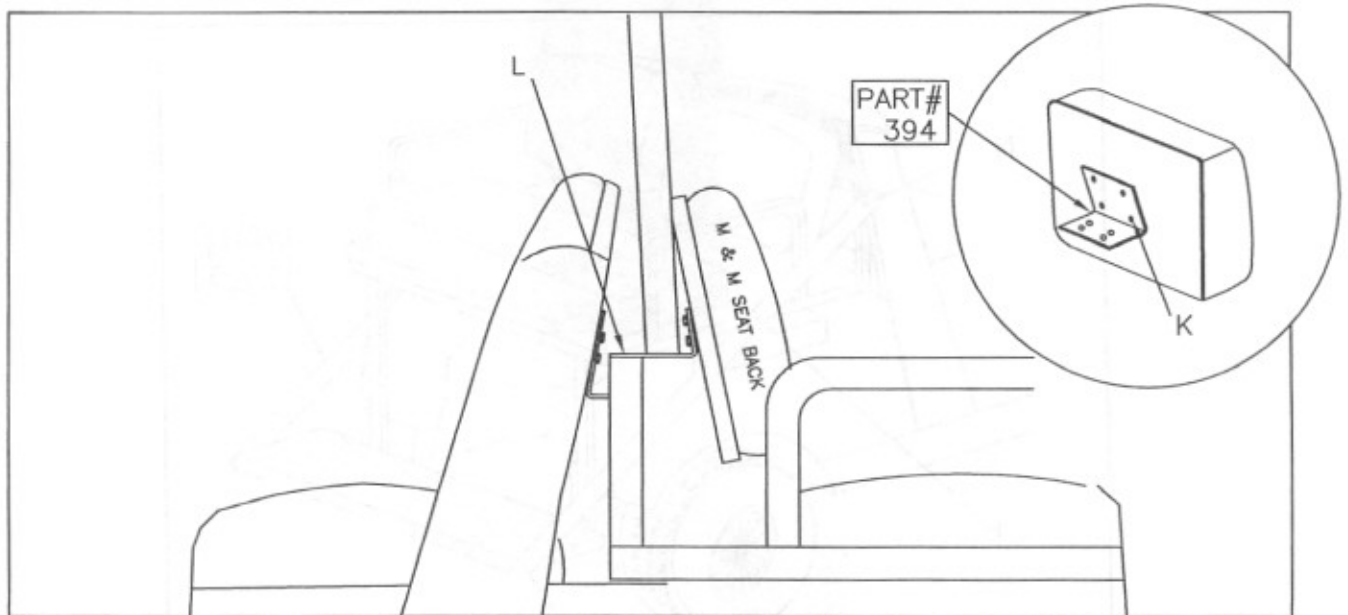
SCALE:

Not To Scale



**STEP 8: INSTALL SEAT BOTTOM FLATBED ASSEMBLY AGAIN.**

USING: (2) 5/16" x 1 1/2" CARRIAGE BOLTS, (2) 5/16" FLATWASHERS, (2) 5/16" LOCKNUTS AT (LOCATION H) AND (4) 1/4" x 1 3/4" PAN HEAD BOLTS, (8) 1/4" FLATWASHERS, (4) 1/4" LOCKNUTS AT (LOCATION J).



**STEP 9: INSTALL SEAT BACK BRACKET (PART# 394) TO M&M SEAT BACKS (LOCATION K).**

USING: (8) 1/4" x 3/4" HEX HEAD BOLTS, (8) 1/4" STARWASHERS  
 INSTALL M&M SEAT BACK ASSEMBLY ON TOP OF BACK SUPPORT CROSSBAR.  
 SECURE AT (LOCATION L) WITH: (4) 5/16" x 1 3/4" HEX HEAD BOLTS,  
 (8) 5/16" FLATWASHERS, (4) 5/16" LOCKNUTS. FOR REAR LEG & TOP INSTALLATION  
 USE OTHER HOLES IN SEAT BACK BRACKET AND FOLLOW INSTRUCTIONS WITH REAR LEGS.

**M & M VEHICLE CORP.**

19873 Hwy 22 W. Mexico MO 65265  
 573-581-4914

TITLE:

EC275G2/G9  
 INSTALLATION INSTRUCTIONS

NOTICE

THE INFORMATION CONTAINED HEREIN IS THE PROPERTY OF M & M VEHICLE CORP. AND IT SHALL NOT BE COPIED NOR USED IN ANY MANNER EXCEPT AS EXPRESSLY AUTHORIZED.

DRAWN BY:  
 RANDY HAERER

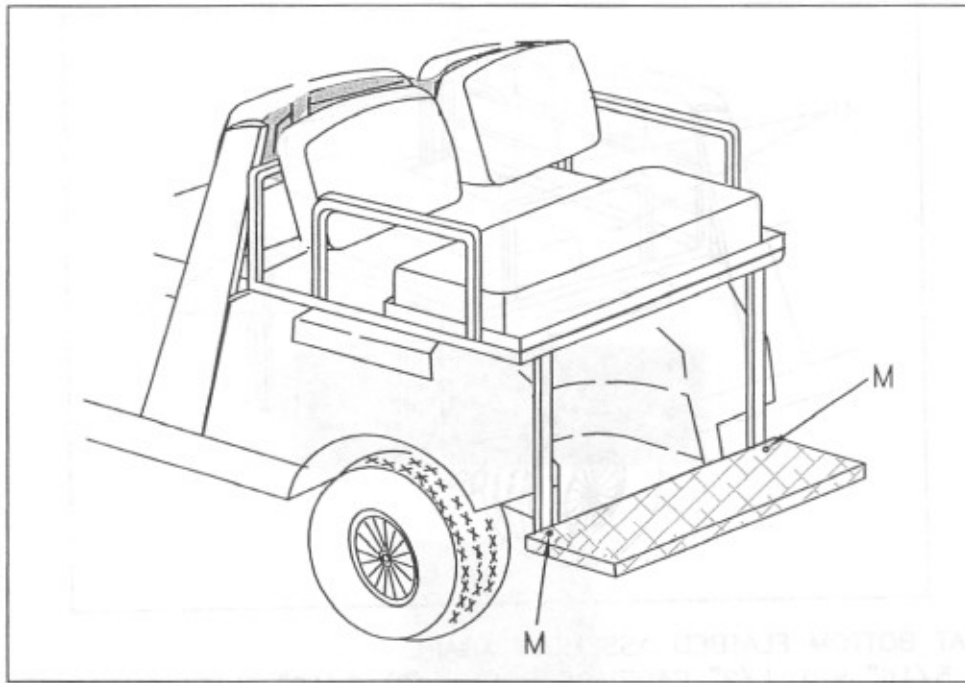
DATE:  
 AUG 21, 2006

DWG NO.

# 0689

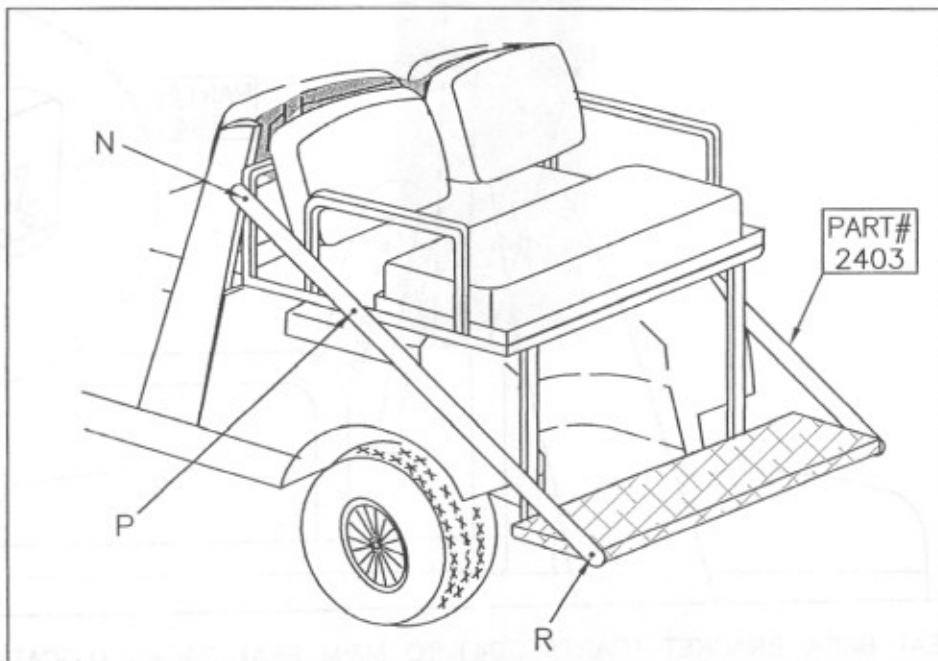
SHEET:  
 5 of 6

SCALE:  
 Not To Scale



**STEP 10:** INSTALL FOOTPAN AND SECURE AT (LOCATION M).

USING: (2) 5/16" x 1" HEX HEAD BOLTS, (4) 5/16" FLATWASHERS, (2) 5/16" LOCKNUTS



**STEP 11:** INSTALL (2) FLAT SUPPORT ARMS (PART# 2403), ONE ON EACH SIDE OF SEATS.

USING: (2) 1/4" X 1 3/4" PAN HEAD BOLTS (LOCATION N), (2) 1/4" X 1 1/4" PAN HEAD BOLTS (LOCATION P), (2) 1/4" X 1" PAN HEAD BOLTS (LOCATION R), (12) 1/4" FLATWASHERS, (6) 1/4" LOCKNUTS.

**TIGHTEN ALL BOLTS!**

**M & M VEHICLE CORP.**

19873 Hwy 22 W. Mexico MO 65265  
573-581-4914

TITLE:

EC275G2/G9  
INSTALLATION INSTRUCTIONS

**NOTICE**

THE INFORMATION CONTAINED HEREIN IS THE PROPERTY OF M & M VEHICLE CORP. AND IT SHALL NOT BE COPIED NOR USED IN ANY MANNER EXCEPT AS EXPRESSLY AUTHORIZED.

DRAWN BY:

RANDY HAERER

DATE:

AUG 21, 2006

DWG NO.

# 0689

SHEET:

6 of 6

SCALE:

Not To Scale

# M&M VEHICLE CORP.

## ECONOMY 4-PASSENGER PACKAGE

Part# EC275G2

**YAMAHA**

### BOLT KIT

- 4- 5/16" x 4" Hex Head Bolts
- 2- 5/16" x 1 1/2" Carrier Bolts
- 2- 5/16" x 1" Hex Head Bolts
- 4- 5/16" x 1 3/4" Hex Head Bolts
- 22- 5/16" Flat Washers
- 12- 5/16" Locknuts
- 12- 1/4" x 3/4" Hex Head Bolts
- 6- 1/4" x 1 3/4" Pan Head Bolts
- 2- 1/4" x 1 1/4" Pan Head Bolts
- 2- 1/4" x 1" Pan Head Bolts
- 24- 1/4" Flat Washers
- 10- 1/4" Locknuts
- 8- 1/4" Star Washers
- 4- 1/4" Lock Washers

### BOX KIT

- 2- Undercarriage Support Brackets(Part#282)
- 2- Square Tube Undercarriage Spacers(Part#720)
- 2- Seat Back Anchors(Part#275)
- 2- Steel Seat Back Brackets(Part#394)
- 2- Aluminum Seat Back Brace(Part#279)
- 1- Support Flat Strip Bracket(Part#274)
- 1- Bolt kit
- 1- Instructions