



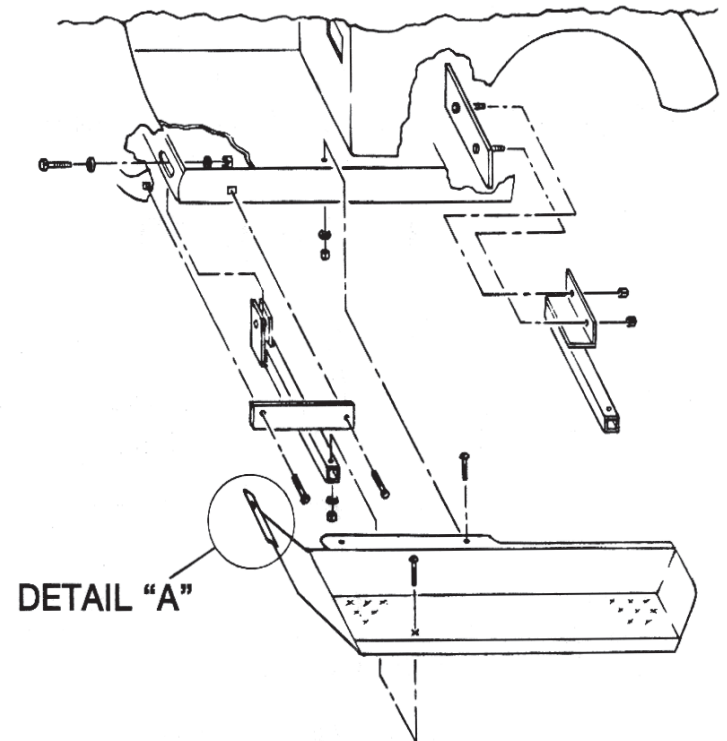
BUGGIES
UNLIMITED

**RKP EZ2 3393 ALUMINUM
RUNNING BOARD KIT**

Instructions for EZGO TXT Models



BUGGIES
UNLIMITED



PARTS LIST

1. Running board only LH
2. Running board only, RH
3. Mount bracket, front LH
4. Mount bracket, front RH
5. Mount bracket, rear LH
6. Mount bracket, rear RH
7. Hardware Kit

HARDWARE LIST

- | | | | |
|----|--|-------|--------|
| A. | 1/4-20 x 1" Phillips Truss Head Bolt | | 4 pcs |
| B. | 1/4-20 x 1-3/4" Phillips Truss Head Bolt | | 4 pcs |
| C. | 5/16-18 x 1" Hex Bolt | | 4 pcs |
| D. | 5/16-18 x 1-1/4" Hex Bolt | | 2 pcs |
| E. | 1/4-20 Nylok Nut | | 8 pcs |
| F. | 5/16-18 Nylok Nut | | 10 pcs |
| G. | | | |
| H. | 1/4" Flat Washer, SAE | | 8 pcs |
| I. | 5/16" Flat Washer, SAE | | 12 pcs |

ASSEMBLY INSTRUCTIONS

- A. Remove old plastic rocker panels.
- B. Install front RH & LH mount brackets (#3, 4) as shown. Use 2 ea. hardware D, 4 ea. C, 6 ea. F and 12 ea. I.
- C. Install rear RH & LH mount brackets (#5, 6) as shown. Use 4 ea. hardware F.
- D. Lay running board in place and attach to car frame and mounting brackets. Use 4 ea. hardware A, E & H for mounting to frame. Use 4 ea. hardware B, E & H for fastening to mount brackets.
- E. As shown in VIEW A, the front of the running board is secured to the frame under the cowl by either rivets or bolts (not provided).

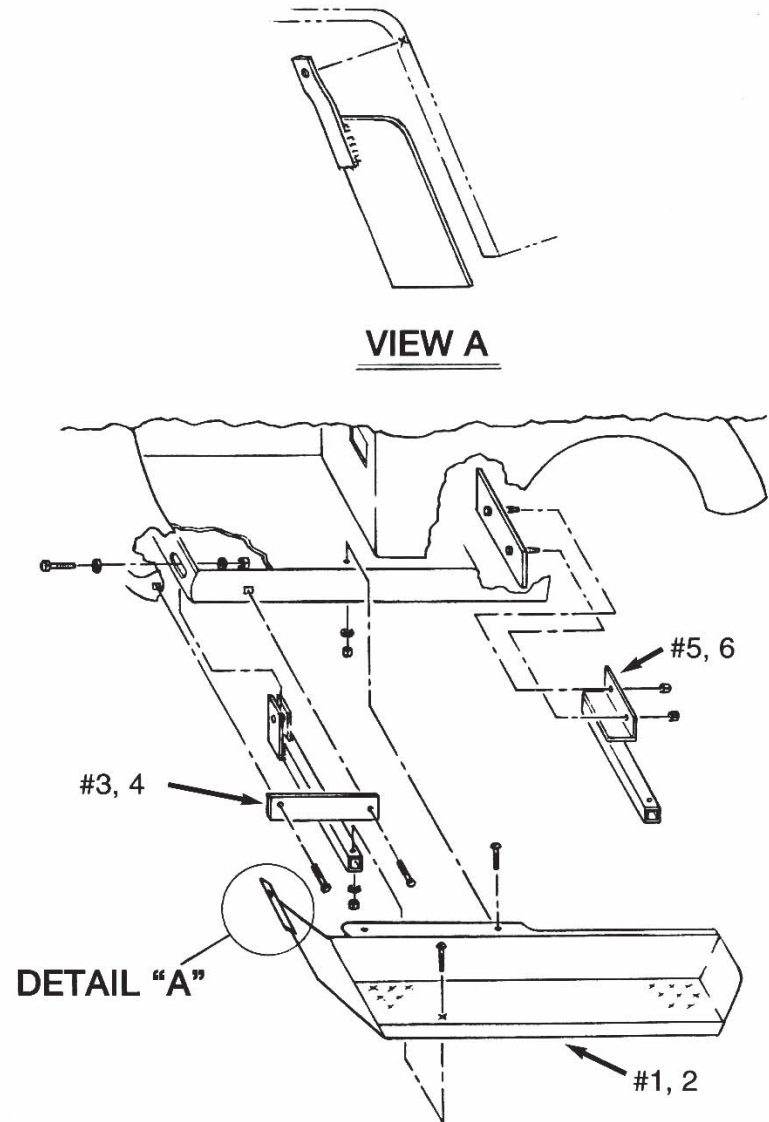


Figure 1