

*E-Z GO MEDALIST/TXT:*

REAR SEAT KIT

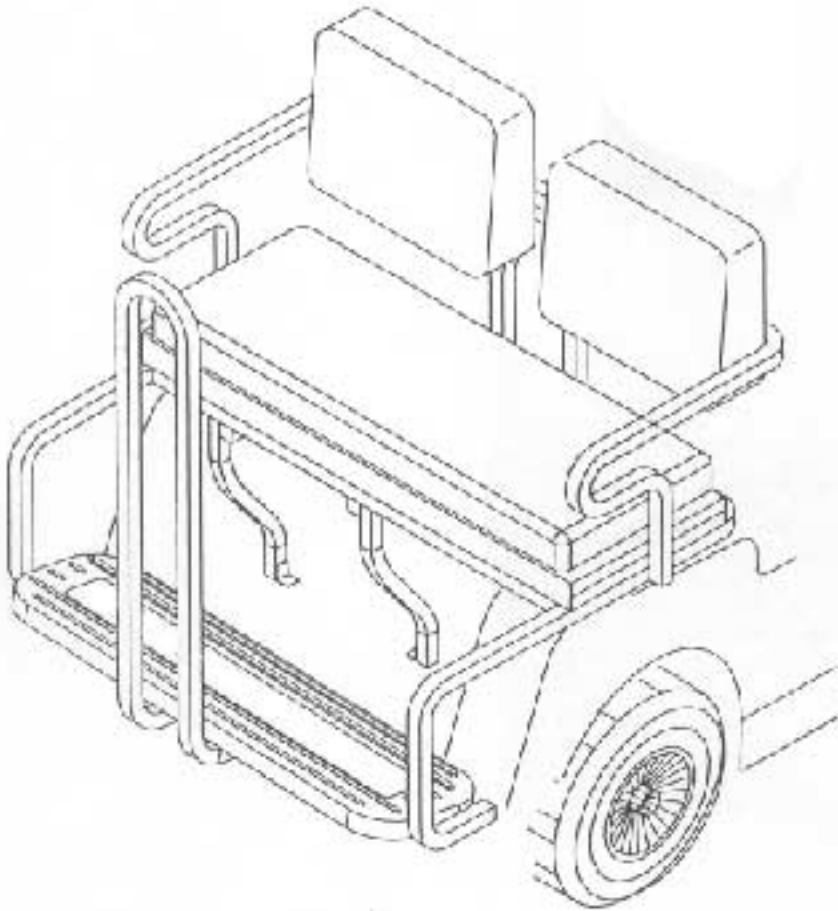
**RS2003 and RS2004**

*HARDWARE INCLUDED:*

- (4) 1/2" SPACERS
- (2) 1" SPACERS
- (2) SEAT BRACKETS
- (4) 1/8" "L" BRACKETS
- (10) 1-1/2"x1/4-20 BOLTS
- (6) 1-3/4" x 1/4-20 BOLTS
- (2) 2" x 1/4-20 BOLTS
- (2) 2-3/4" x 1/4-20 BOLTS
- (1) 3" x 1/4-20 BOLTS
- (2) 3" x 1/4-20 CARRIAGE BOLTS
- (4) 4" x 1/4-20 BOLTS
- (34) 1/4-20 NUTS
- (58) FLAT WASHERS

*NOTE: Some hardware is specific for certain seat kits. You may find extra hardware remaining after your installation.*

*PLEASE CONTACT SUPPLIER IF ANY HARDWARE IS MISSING.*



*TOOLS REQUIRED:*

- 17/64" DRILL BIT/DRILL
- 7/16" SOCKET
- 7/16" WRENCH

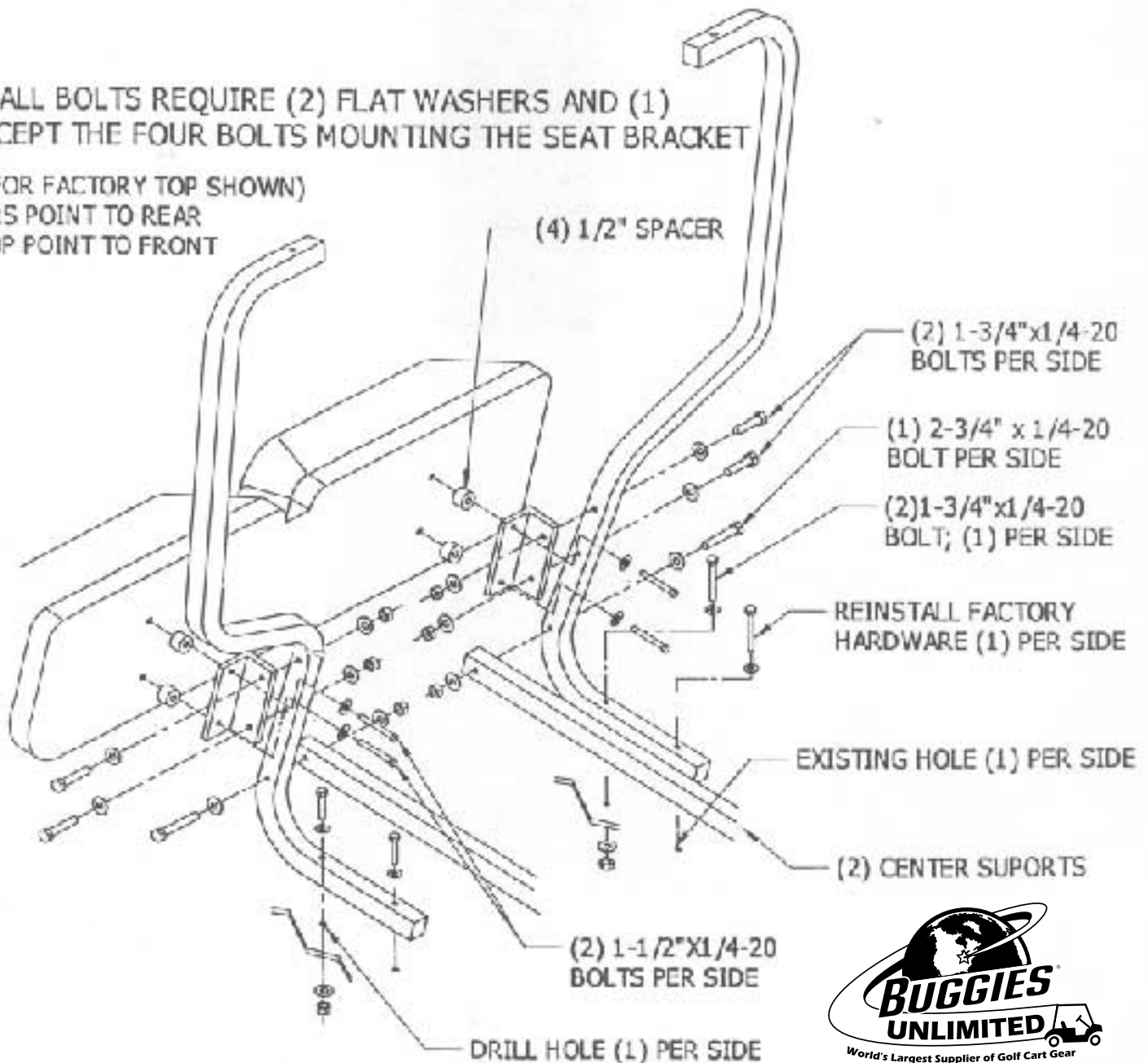
# STEP 1: MOUNT FRONT SUPPORTS

FOLLOW SEQUENCE BELOW; *FINGER TIGHTEN ONLY UNTIL UNIT IS FULLY ASSEMBLED.*

1. REMOVE SEAT BACK AND ALL MOUNTING.
2. MOUNT SEAT BRACKETS TO SEAT WITH 1/2" SPACERS AS SHOWN.
3. MOUNT REAR FRAMES IN REAR HOLE AT ORIGINAL LOCATION.
4. MOUNT SEAT BACK WITH BRACKETS TO FRAMES.
5. ALIGN ALL PARTS. USING A 17/64" DRILL WITH REAR FRAMES AS A GUIDE, DRILL THROUGH CAR FOR FORWARD MOUNTING HOLES.
6. MOUNT CENTER SUPPORTS.

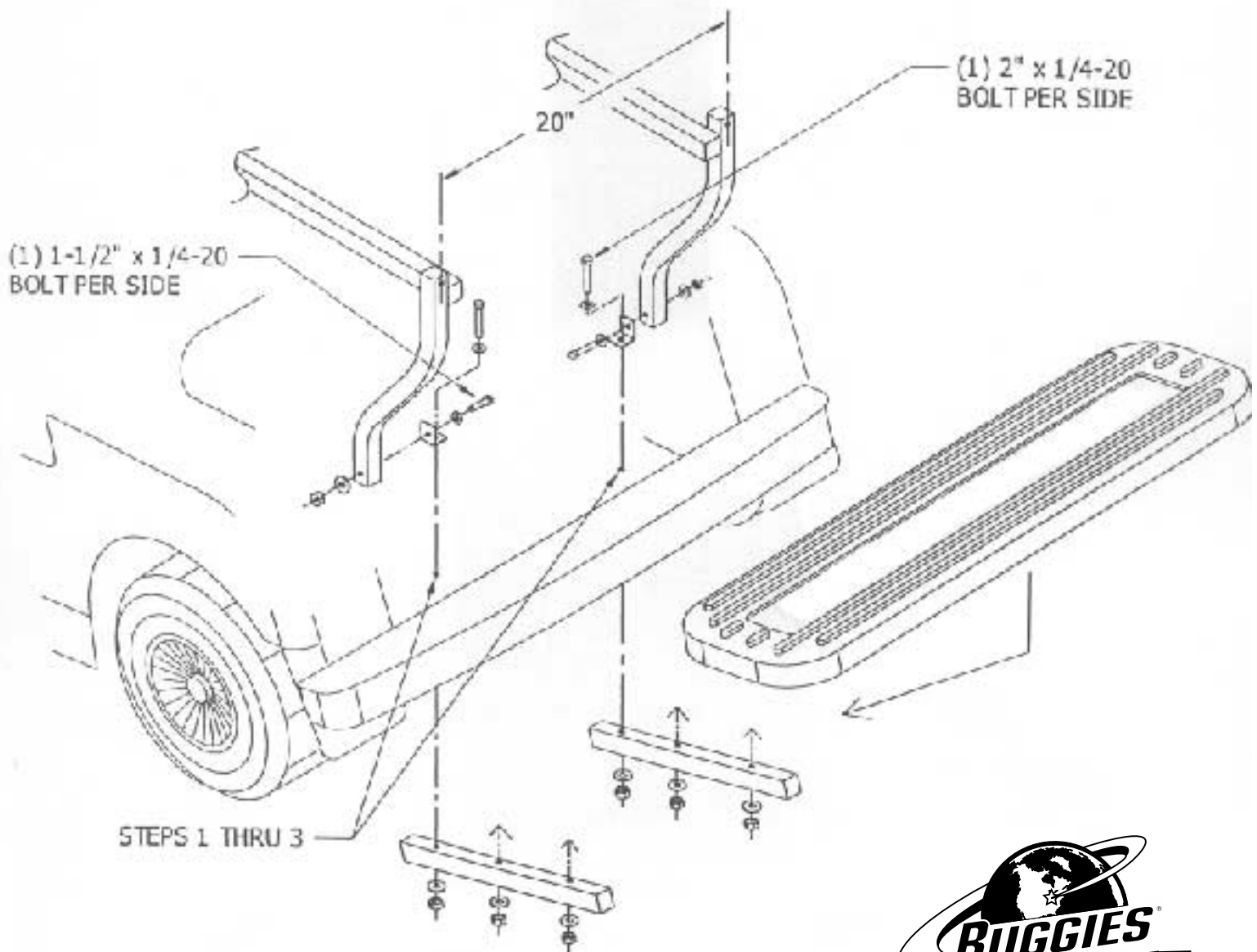
NOTE: ALL BOLTS REQUIRE (2) FLAT WASHERS AND (1) NUT EXCEPT THE FOUR BOLTS MOUNTING THE SEAT BRACKET

(REARS FOR FACTORY TOP SHOWN)  
80" REARS POINT TO REAR  
FLEET TOP POINT TO FRONT



FOLLOW SEQUENCE BELOW; *FINGER TIGHTEN ONLY UNTIL UNIT IS FULLY ASSEMBLED, THEN TIGHTEN COMPLETELY.*

- 1) MOUNT 1/8" "L" BRACKETS TO LOWER CENTER SUPPORT TUBES (FACING THEM INWARD).
- 2) NOTE: MAINTAIN 20" DIMENSION; HOLE CENTER TO HOLE CENTER, BEFORE DRILLING FLOOR!
- 3) DRILL THROUGH FLOOR AT 1/8" "L" BRACKETS; (MARK FLOOR FIRST AND MOVE COMPONENTS OUT OF THE WAY IF NEEDED).
- 4) BOLT FOOTREST MOUNTING TUBES TO BOTTOM OF FOOTREST.
- 5) MOUNT FOOTREST ASSEMBLY BENEATH BAGWELL WHEN BOLTING DOWN CENTER SUPPORTS AT "L" BRACKETS ON CENTER TUBES THROUGH NEW HOLES IN BAGWELL FLOOR.



FOLLOW SEQUENCE BELOW; *FINGER TIGHTEN ONLY UNTIL UNIT IS FULLY ASSEMBLED, THEN TIGHTEN COMPLETELY.*

- 7) ATTACH SEAT BACK CUSHIONS TO SEAT ASSEMBLY. MOUNT SEAT ASSEMBLY ONTO CENTER SUPPORTS; BOLT ON "L" BRACKETS AS SHOWN; STANDARD SEAT REQUIRES ONE PLACEMENT / "2 IN 1" AND "3-IN-1" COMBO VERSIONS REQUIRE THE OTHER PLACEMENT.  
NOTE: CROSS BRACE IS ALSO REQUIRED WHEN INSTALLING "3-IN-1" COMBO SEAT KITS.
- 8) MOUNT SIDE TUBES INTO SEAT ASSEMBLY AND ONTO THE STEP. USE SPACERS WITH "COMBO" KITS.
- 9) MOUNT OPTIONAL CENTER HANDLE, (REQUIRED WITH "2 IN 1" AND "3 IN 1" COMBO KITS. IF HANDLE IS NOT USED, IT IS RECOMENDED TO CUT OFF EXTENDED STUDS BELOW STEP.

