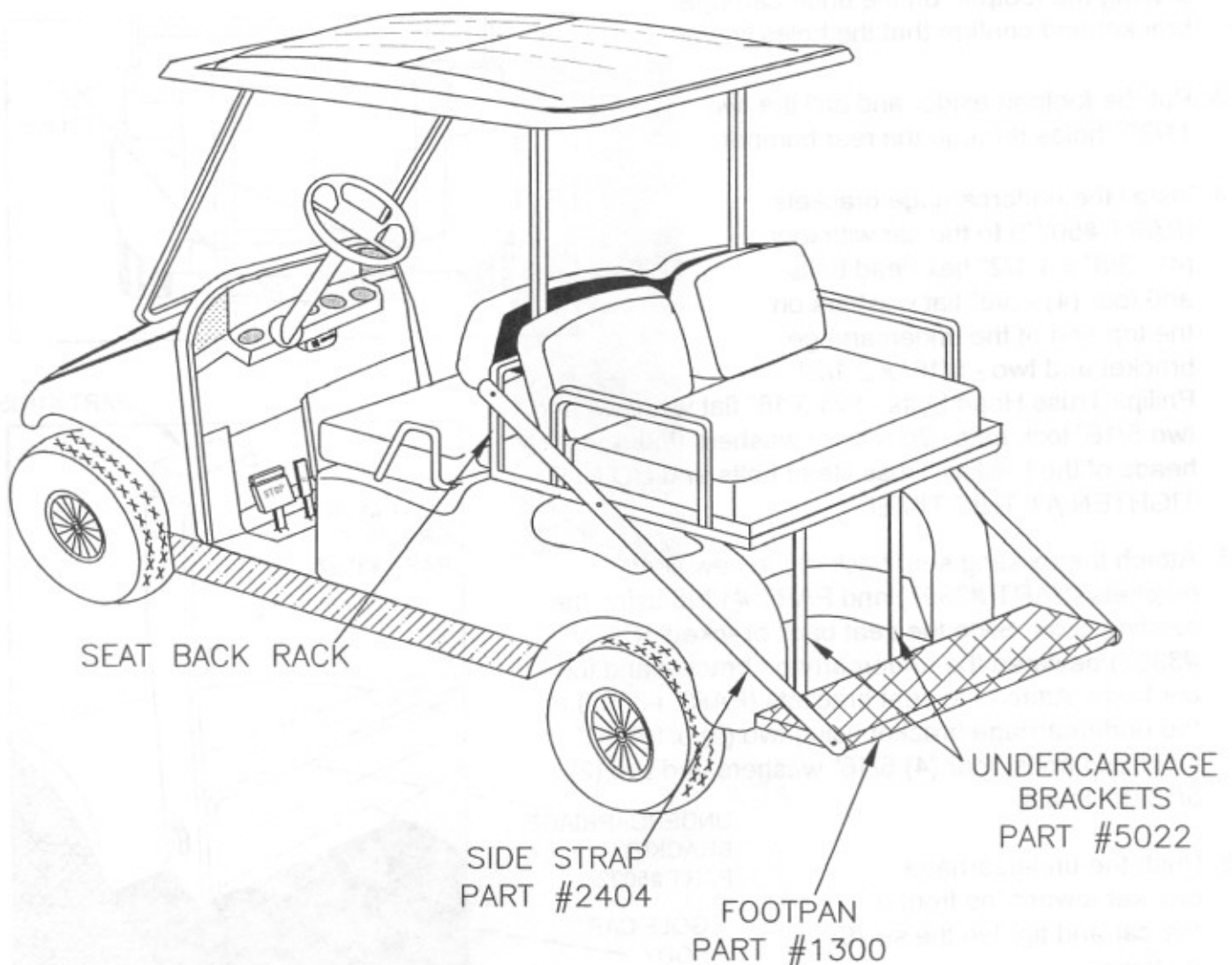


M&M VEHICLE CORP.
ECONOMY 4 PASSENGER/PACKAGE CARRIER
PART #EC275ET & PART #EC280ET
EZ-GO TXT

ASSEMBLY INSTRUCTIONS

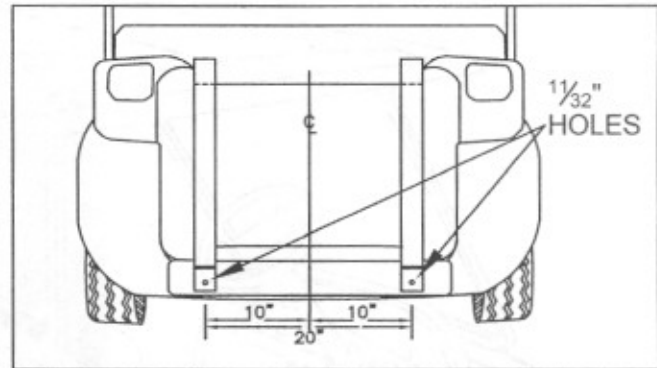


<p align="center">M & M VEHICLE CORP. 19873 Hwy. 22 W. Mexico MO 65265 573-581-4914</p>	<p>TITLE: PART #EC275ET & #EC280ET ASSEMBLY INSTRUCTIONS</p>		
<p align="center">NOTICE</p> <p>THE INFORMATION CONTAINED HEREIN IS THE PROPERTY OF M & M VEHICLE CORP.. AND IT SHALL NOT BE COPIED NOR USED IN ANY MANNER EXCEPT AS EXPRESSLY AUTHORIZED.</p>	<p>DRAWN BY: GREG PECK</p> <p>SHEET: 1 OF 4</p>	<p>DATE: Oct. 31, 2006</p> <p>SCALE: Not To Scale</p>	<p>DWG NO. # 3715-1</p>

Assembly Details -

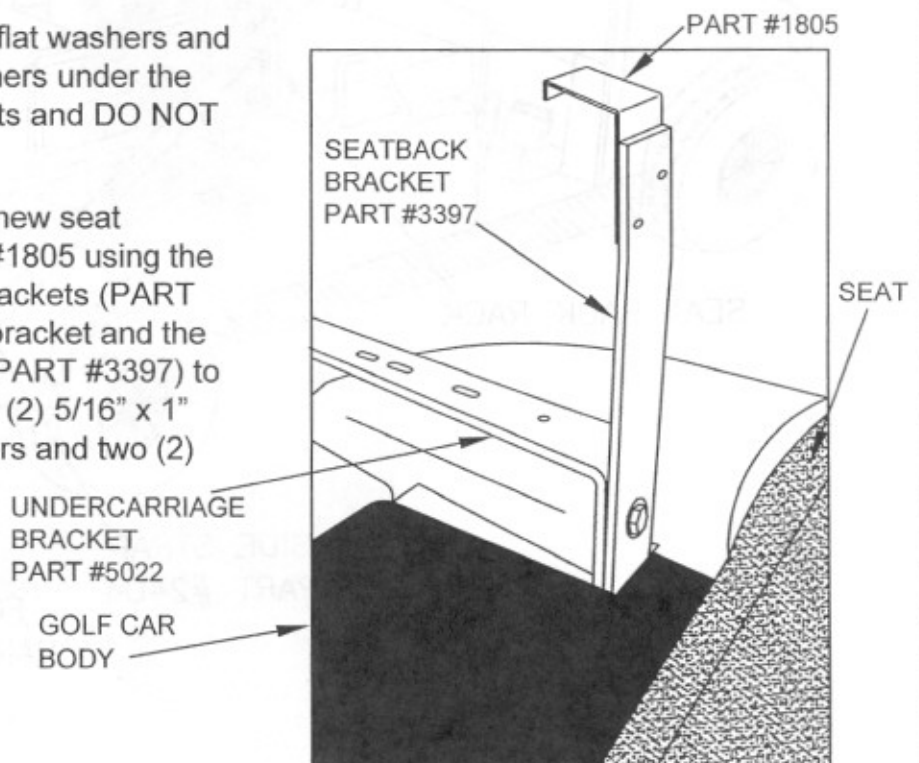
(NOTE - All stainless bolts should be lubricated before installing)

1. Remove basket and seat back from car. Remove rear roof support. NOTE - If the top of the car is to remain in use, M&M Vehicle Part #PC275RLET/EM (Aluminum) or #PC275RLET/EMB (Black) must be used to support the rear of the top. The existing top bolts will be used to attach Part # PC275RLET/EM (Aluminum) or #PC275RLET/EMB (Black) to the Economy 4 Passenger Package #EC275ET-EM.
2. Position undercarriage brackets (PART #5022) where seat back supports were attached. Using the undercarriage bracket as a guide, measure 10" from center of the back bumper and mark the location of the hole in the undercarriage bracket (PART #5022). Before drilling, confirm location by placing the footpan on the undercarriage bracket and confirm that the holes line up.



3. Put the footpan aside, and drill the two 1 1/32" holes through the rear bumper.
4. Install the undercarriage brackets (PART #5022) to the car with four (4) - 3/8" x 1 1/2" hex head bolts and four (4) - 3/8" flat washers on the top end of the undercarriage bracket and two - 5/16" x 2 1/2" Philips Truss Head bolts, two 5/16" flat washers and two 5/16" lock nuts. Do not put washers under the heads of the Phillips Truss Head bolts and DO NOT TIGHTEN AT THIS TIME!
5. Attach the existing seat back to the new seat brackets (PART #3397) and PART #1805 using the existing bolts. Slide the seat back brackets (PART #3397) between the undercarriage bracket and the car body. Attach the seat brackets (PART #3397) to the undercarriage bracket using two (2) 5/16" x 1" hex head bolts, four (4) 5/16" washers and two (2) 5/16" locknuts.

6. Push the undercarriage bracket toward the front of the car and tighten the six (6) fasteners.



M & M VEHICLE CORP.

19873 Hwy. 22 W. Mexico MO 65265
573-581-4914

TITLE:

PART #EC275ET & #EC280ET
ASSEMBLY INSTRUCTIONS

NOTICE

THE INFORMATION CONTAINED HEREIN IS THE PROPERTY OF M & M VEHICLE CORP. AND IT SHALL NOT BE COPIED NOR USED IN ANY MANNER EXCEPT AS EXPRESSLY AUTHORIZED.

DRAWN BY:

GREG PECK

DATE:

Oct. 31, 2006

DWG NO.

3715-1

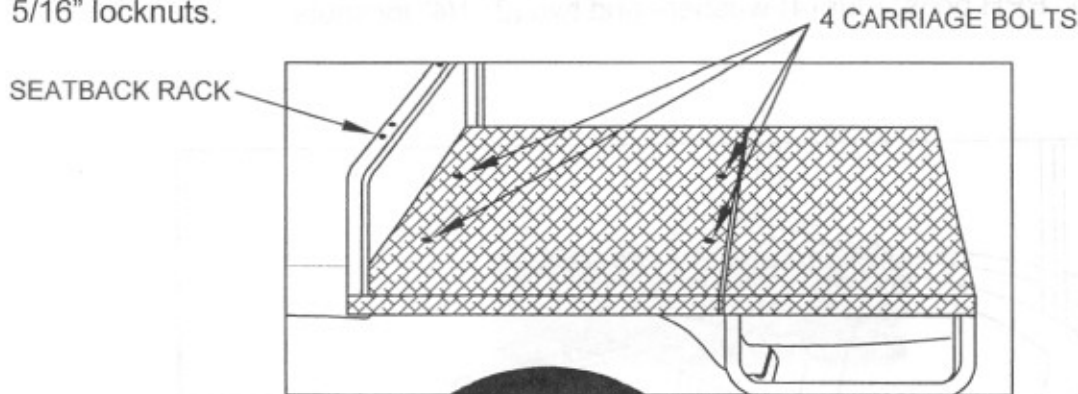
SHEET:

2 OF 4

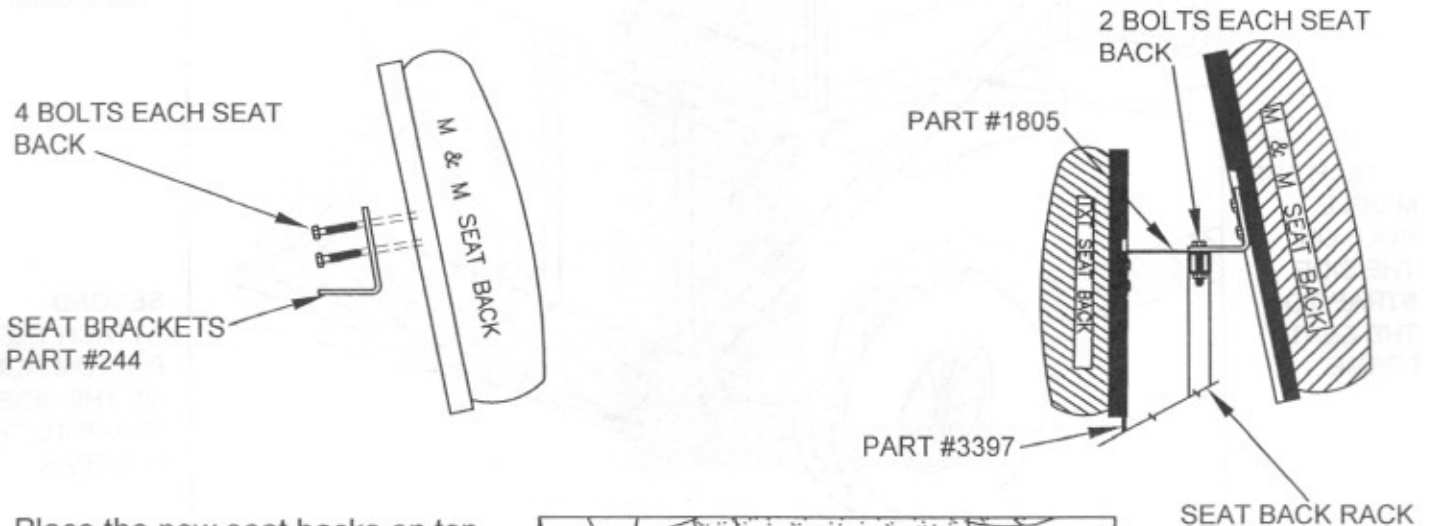
SCALE:

Not To Scale

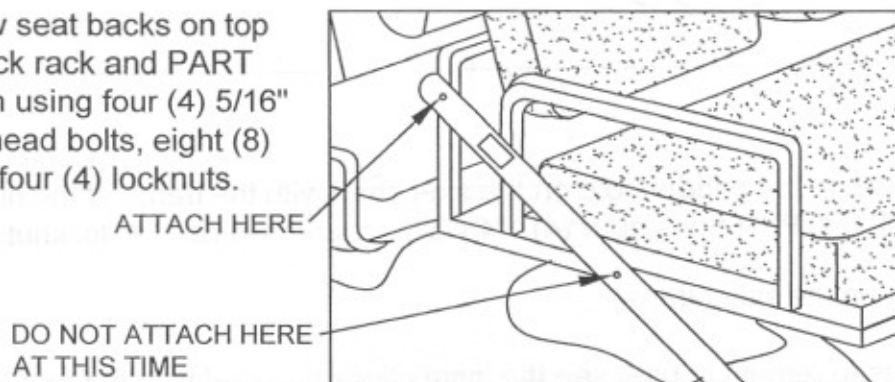
7. Place the folding seat assembly on the undercarriage bracket (PART #5022) and under PART #1805. Secure the folding seat assembly to the undercarriage bracket (PART #5022) with four (4) 5/16" X 1" carriage bolts placed into the holes on the deck and four (4) 5/16" washers and four (4) 5/16" locknuts.



8. Attach the seat brackets (PART #244) to the new rear seat backs. The seat backs are wider at the bottom and the "L" of the seat bracket should stick out toward the bottom of the seat. Attach using eight (8) 1/4" x 3/4" hex head bolts and eight (8) star washers, four (4) bolts and washers on each seatback.



9. Place the new seat backs on top of the seatback rack and PART #1805. Attach using four (4) 5/16" x 1 3/4" hex head bolts, eight (8) washers and four (4) locknuts.



10. Attach the two side straps (PART #2404) to the seat back loop using two (2) 1/4" x 1 3/4" PPH bolts, four (4) washers and two (2) locknuts. Do not tighten at this time. The warning label goes up and out.

M & M VEHICLE CORP.

19873 Hwy. 22 W. Mexico MO 65265
573-581-4914

TITLE:

PART #EC275ET & #EC280ET
ASSEMBLY INSTRUCTIONS

NOTICE

THE INFORMATION CONTAINED HEREIN IS THE PROPERTY OF M & M VEHICLE CORP. AND IT SHALL NOT BE COPIED NOR USED IN ANY MANNER EXCEPT AS EXPRESSLY AUTHORIZED.

DRAWN BY:

GREG PECK

DATE:

Oct. 25, 2006

DWG NO.

3715-1

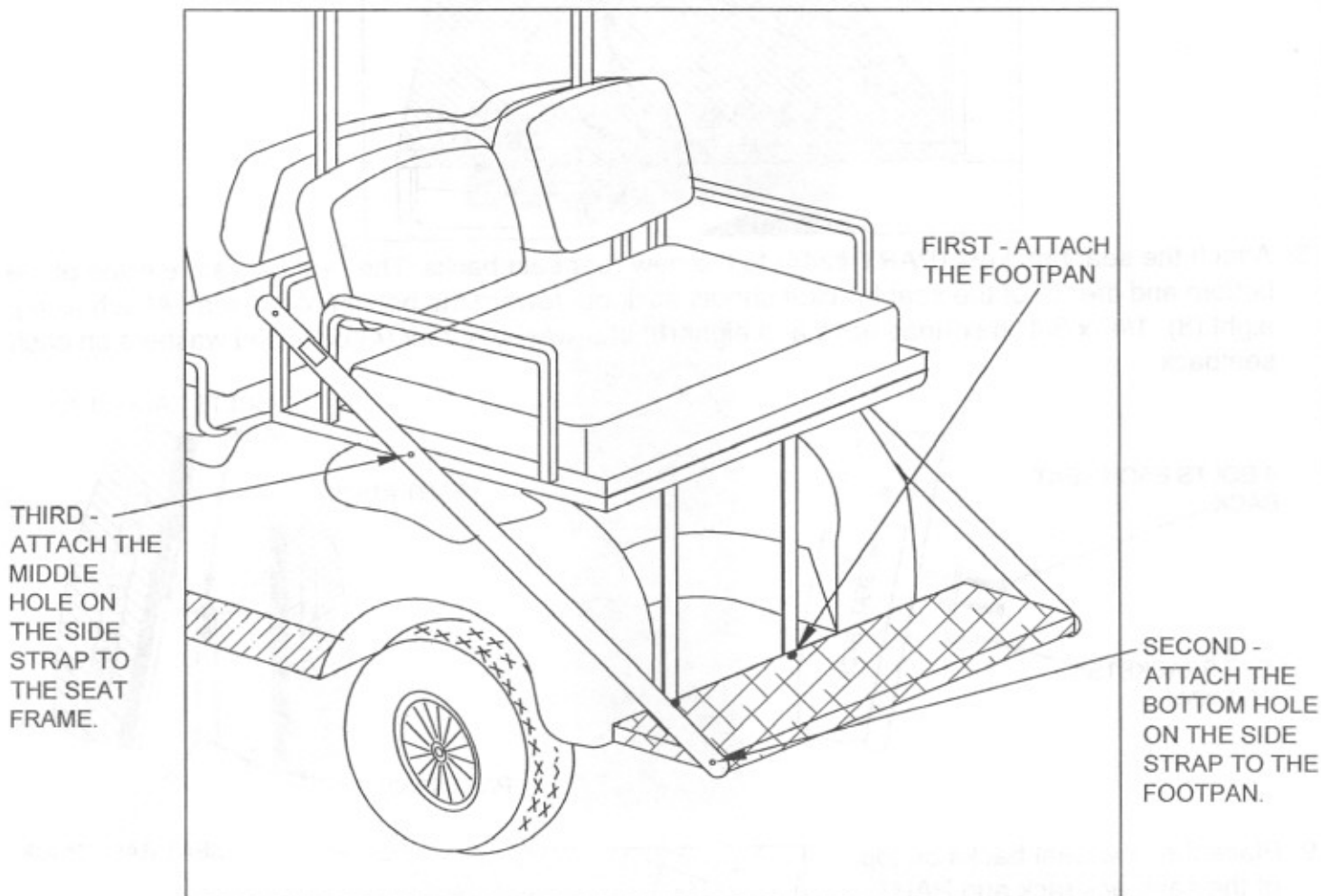
SHEET:

3 OF 4

SCALE:

Not To Scale

11. Sit the footpan on the undercarriage bracket (PART #5022) and align with the two holes near the rear bumper. Attach with two (2) 5/16" x 1 1/2" hex head bolts, four (4) washers and two (2) locknuts. Once the footpan is attached to the undercarriage brackets, attach the footpan to the side straps using two (2) 1/4" x 1" PPH bolts, four (4) washers and two (2) 1/4" locknuts.



12. Use the footpan to line up the middle hole on the side strap with the frame of the new seat. Attach using two (2) 1/4" x 1 1/4" PPH bolts, four (4) 1/4" washers and two (2) 1/4" locknuts.
13. Tighten the top bolts on the side straps.
14. If the top of the car is to remain in use, see the instructions included with the rear legs - M&M Vehicle Part #PC275RLET/EM (Aluminum) or #PC275RLET/EMB (Black).

M & M VEHICLE CORP.

19873 Hwy. 22 W. Mexico MO 65265
573-581-4914

TITLE:

PART #EC275ET & #EC280ET
ASSEMBLY INSTRUCTIONS

NOTICE

THE INFORMATION CONTAINED HEREIN IS THE PROPERTY OF M & M VEHICLE CORP., AND IT SHALL NOT BE COPIED NOR USED IN ANY MANNER EXCEPT AS EXPRESSLY AUTHORIZED.

DRAWN BY:

GREG PECK

DATE:

Oct. 31, 2006

DWG NO.

3715-1

SHEET:

4 OF 4

SCALE:

Not To Scale

M&M VEHICLE CORP.
ECONOMY 4 PASSENGER/PACKAGE
CARRIER

Part # EC275ET & #EC280ET
EZ-GO TXT

Bolt kit

- 4 - 3/8" x 1 1/2" hex head bolts
- 4 - 3/8" flat washers
- 2 - 5/16" - 2 1/2" Phillips truss head bolts
- 22 - 5/16" flat washers
- 14 - 5/16" locknuts
- 2 - 5/16" x 1" hex head bolts
- 4 - 5/16" x 1" carriage bolts
- 2 - 5/16" x 1 1/2" hex head bolt
- 8 - 1/4" x 3/4" hex head bolts
- 8 - 1/4" star washers
- 4 - 5/16" x 1 3/4" hex head bolts
- 12 - 1/4" flat washers
- 2 - 1/4" x 1 3/4" Phillips Pan Head (PPH) bolts
- 2 - 1/4" x 1 1/4" PPH bolts
- 2 - 1/4" x 1" PPH bolts
- 6 - 1/4" locknuts

Box kit

Instructions

Bolt Kit

- 2 - Undercarriage bracket (PART #5022)
- 2 - Seat bracket (PART #244)
- 2 - Seat back support (PART #3397)
- 2 - Seat back support (PART #1805)