

SCB UNV BSKT FRONT CARGO BASKET INSTALLATION

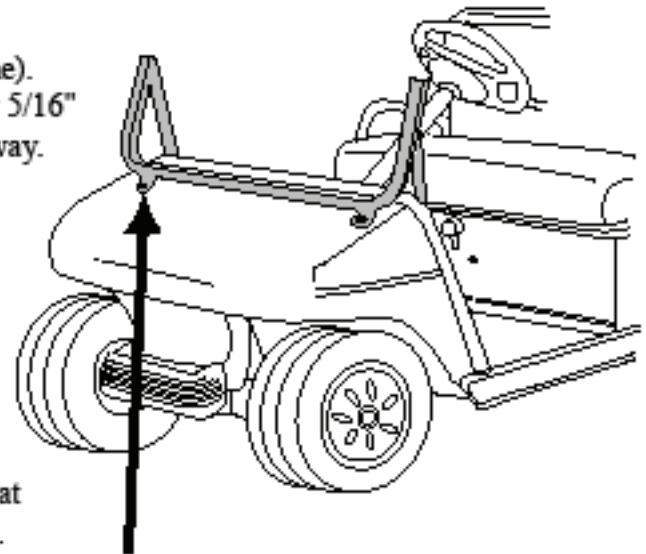


BUGGIES
UNLIMITED

Directions For Club Car Models:

NOTE: Use small, offset "L" bracket for Club Car models.

- A) Remove the front windshield frame bolt (one side at a time).
- Insert the L bracket under the frame foot. Install the new 5/16" bolt, flat washer and lock washer. Do not tighten all the way.
- This will be done last.
- B) Set the basket on the L brackets and install the 1/4" bolts, flat washer and locking nut.
- C) Lift the basket to a level angle and tighten all the basket bolts. Now tighten the L bracket bolts.
- D) The bolts are 5/16" x 1-1/4" x 18. Use a lock washer and flat washer with each bolt. The basket bolts are 1/4" x 1" x 20. Use flat washers and lock nuts on each bolt.



Frame Foot Bolt

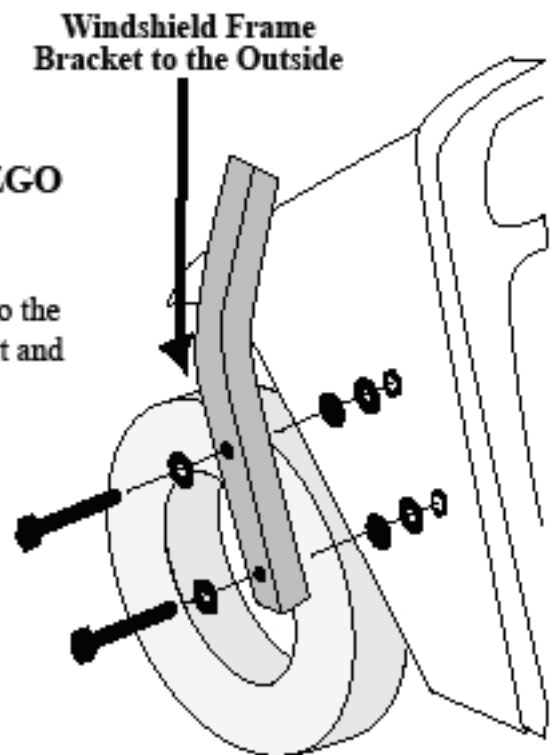
Directions For EZGO Models:

NOTE: Use short bracket for EZGO Medalist /

TXT golf carts and long bracket for EZGO

Workhorse utility vehicles.

- A) Remove the two 5/16" bolts that hold the windshield frame to the cart. Install the flat straight brackets on each side of the cart and do not tighten all the way. This will be done last.
- B) Set the basket on top of the straight brackets and install the 1/4" bolts, washers and locking nuts.
- C) Lift the basket to a level angle and tighten all the basket bolts. Now, tighten the L bracket bolts.
- D) The bolts are 1/4" x 1-1/4" x 20. Use the flat washers on each side and a lock nut on each bolt.



Windshield Frame
Bracket to the Outside

Buggies Unlimited
1-888-444-9994
www.buggiesunlimited.com