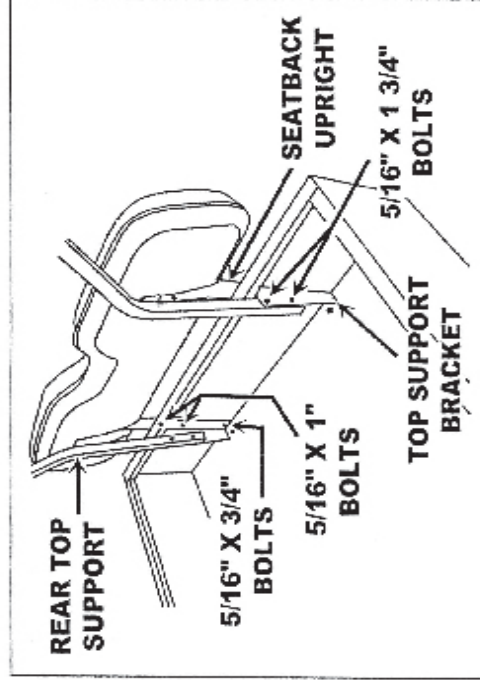




**Black, Silver (Aluminum)**

**Rear Top Support Bracket Kit for Universal Utility Box  
Medalist/TXT**

- A) Install rear top support brackets and seatback uprights as shown in the illustration below using the hardware provided.
- B) Attach rear top support to the bottom hole in the top support and install top. Using the top hole in the bracket as a guide, mark and drill a 5/16" hole through the top support and secure with the hardware described in the illustration below.



**Black, Silver (Aluminum)**

**Rear Top Support Bracket Kit for Universal Utility Box  
Medalist/TXT**

- A) Install rear top support brackets and seatback uprights as shown in the illustration below using the hardware provided.
- B) Attach rear top support to the bottom hole in the top support and install top. Using the top hole in the bracket as a guide, mark and drill a 5/16" hole through the top support and secure with the hardware described in the illustration below.

