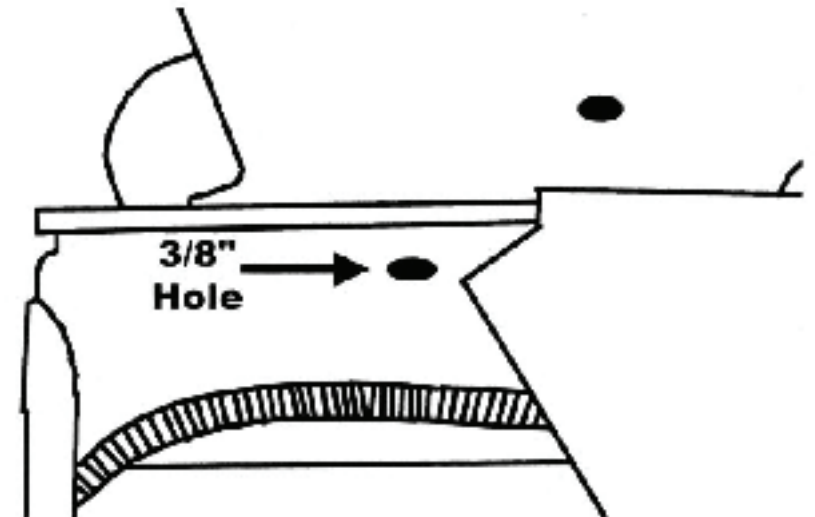
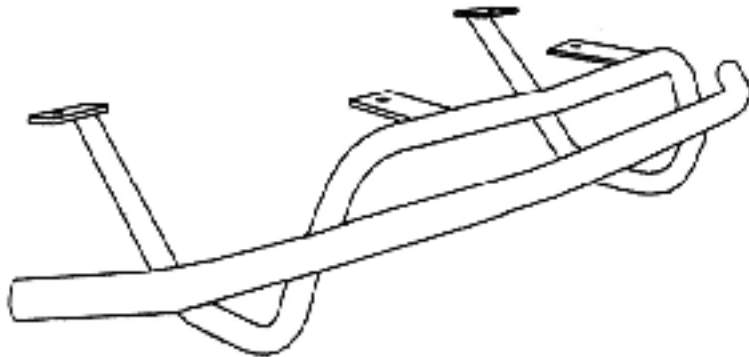




## INSTALLATION INSTRUCTIONS

**3-075**

### **Front Bumper, Medalist/TXT With Headlight Brackets Under Cowl Mount**



**View of frame cross member  
under front cowl  
(Passenger Side)**

## Assembly Instructions

- A. Locate 2 holes under front cowl, above each of the front wheels in the frame cross member as shown below. Drill a 3/8" clearance hole through the plastic into each of the flove box areas.
- B. Install front bumper using 2 ea 3/8 x 1" round head square shoulder bolt, 2 ea 3/8" split lock washer, and 2 ea 3/8" nylok nut.