

**DOOR
WORKS™**
PATENT PENDING

by **FORE
CONCEPTS**

P.O. Box 2 Butterfield, MO 65623

Office: (417) 442-3996

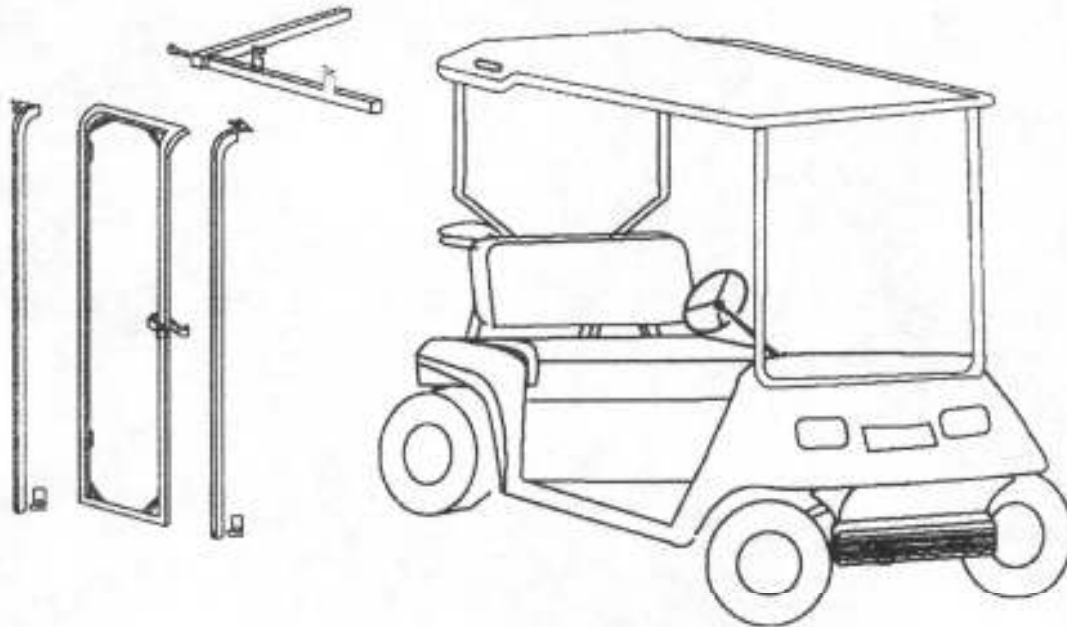
Fax: (417) 442-3112

E-Mail: fabritec@mo-net.com

www.doorworks.us

**CLUB CAR 2000+
INSTALLATION
INSTRUCTIONS**

Before installing DoorWorks, remove the windshield from the cart.
It can be re-attached after installation is complete.



CLUB CAR PACKING LIST

- 1 THREE[3] PIECE HEADER
- 2 REAR POSTS
- 2 FRONT POSTS
- 2 DOORS
- 1 BACK COVER
- 2 DOOR COVERS
- 2 FRONT PANELS
- 1 DRY CLUB

- 1 WINDBREAK
- 2 DOOR HANDLES
- 4 PLASTIC SPACERS
- 4 RUBBER TIPS
- 4 L BRACKETS
- 2 10-32 X1 1/2" PHILLIPS HEAD BOLT
- 6 10-32 X 1" PHILLIPS HEAD BOLT

- 6 #10 WASHERS
- 4 1/4 20 LOCK NUTS
- 2 #10 LOCK WASHERS
- 4 1/4 20X2" HEXED HEAD BOLT
- 4 1/4 WASHERS
- 6 10-32 LOCKNUTS
- 7 PIECES ADHESIVE LOOP

1 Loosen Nuts - Put bracket under washer - Slide forward then tighten nut -

Do same on other side.

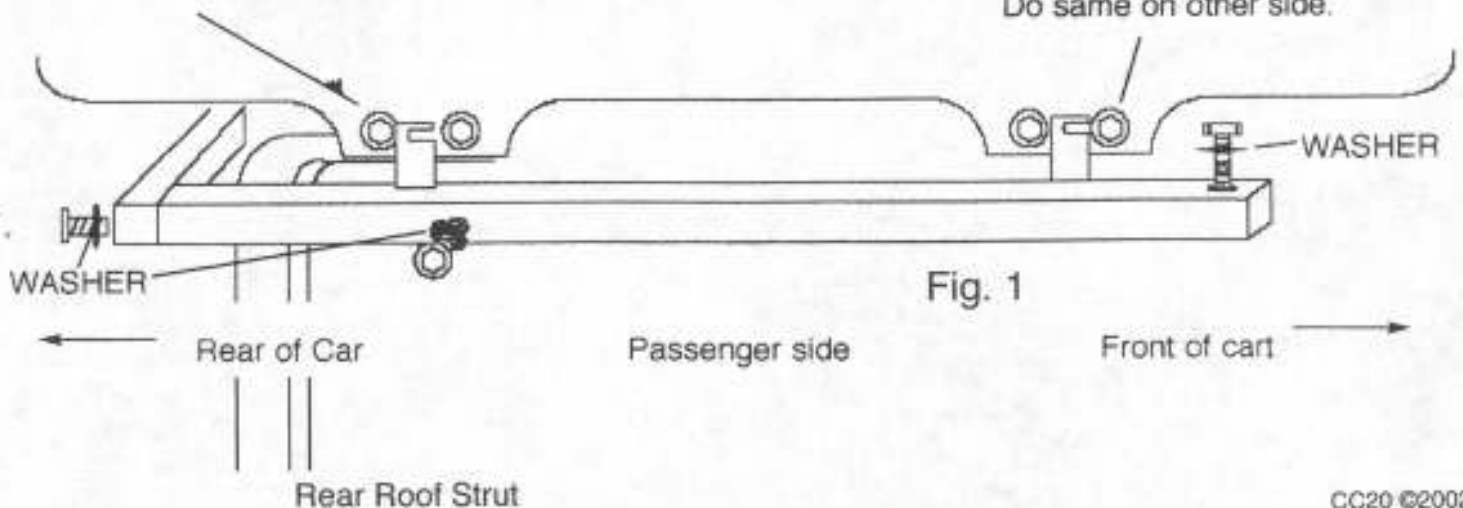
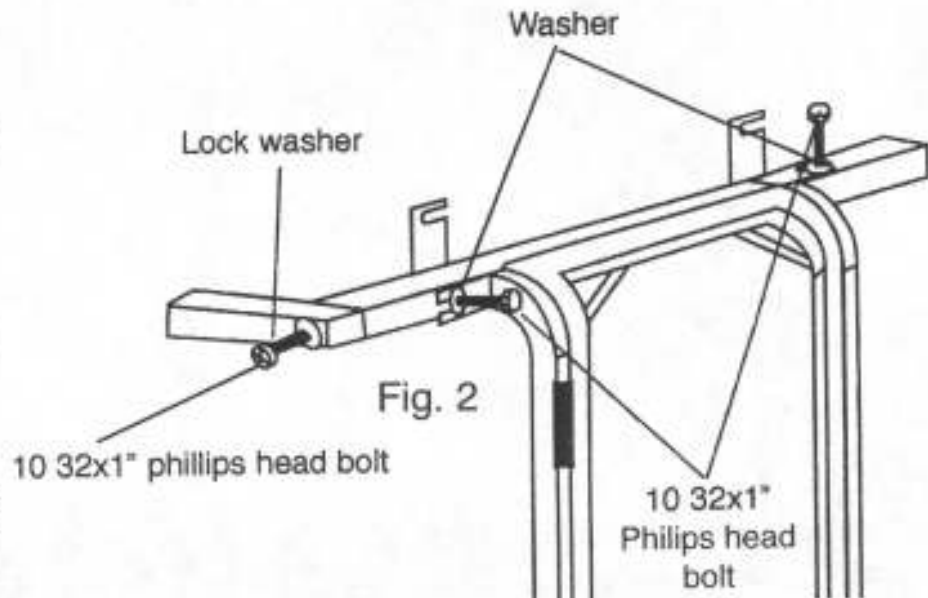


Fig. 1

- 2 Attach rear bar to header bars with 10 32X1" Phillips head bolt and #10 lock washer. Tighten.

- 3 **Installing the Rear Posts**
Place the hinges of the passenger door onto the hinges of the corresponding rear post, so that the welded tab's slot opens toward the rear of the cart. See Fig. 2. Next, center the slotted bracket onto the 1" x 10-32 bolt already placed in header bar and loosely tighten. Position the door (by moving the bottom of post left or right) so that the top of the doorframe is parallel with the header bar. While holding door in position, secure the rear post to the cart frame with an "L" bracket and 1/4 - 20 bolt, as shown in Figure 3. Snugly tighten top and bottom. Gas powered carts require a "J" style bracket to secure the bottom of rear posts see Fig. 4.



4 **Installing the Front Posts**

Locate a front post and place the slotted tab on top of the header bar by centering the slot over the vertically drilled hole, located near the front of the header bar. See Fig. 2. Place a 1-inch x 10-32 bolt from the underside of the header through hole and slot then loosely tighten with nylock nut. Now, bring the front post parallel to the door, leaving about a 1/4 inch gap, and secure the post at the top by tightening the tab bolt and at the bottom by attaching to cart frame with an "L" bracket, see Fig. 3

For some gas models, the rear posts require the elongated j-bracket, hooking the end of the "J" onto an inner frame member

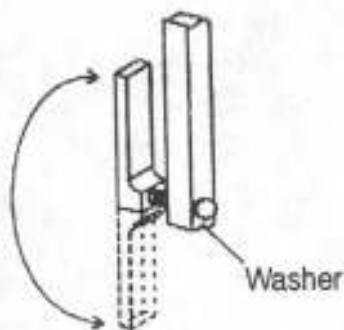
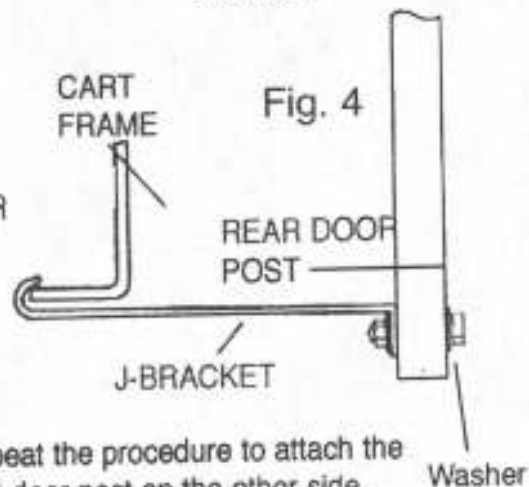
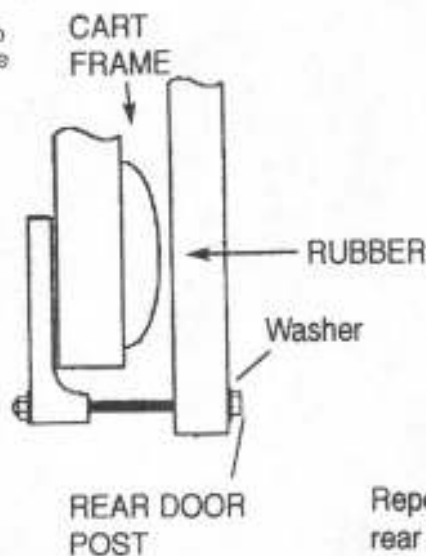
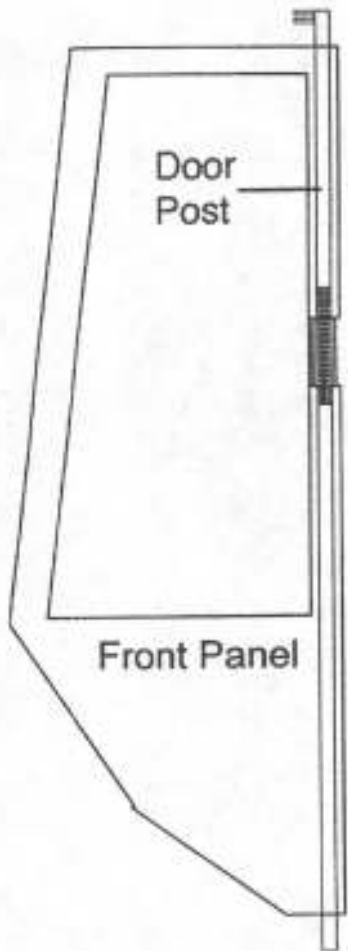


Fig. 3



Repeat the procedure to attach the rear door post on the other side. Hand-tighten the bolts.



The four pieces of 5" (black) loop are used as wear strips and to eliminate rattle between door latch and the front post. To install, center the strip to the pre-cut notch in the front panel then attach directly to the post. One piece on each side of both front posts.

Enclosed you will find seven (7) straps of loop.

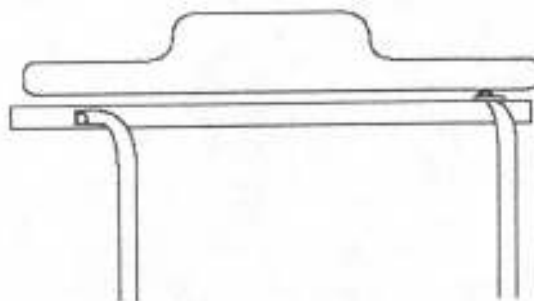
The two 8" pieces go on the front fender of cart.



The 20" piece goes under the basket inside cart.



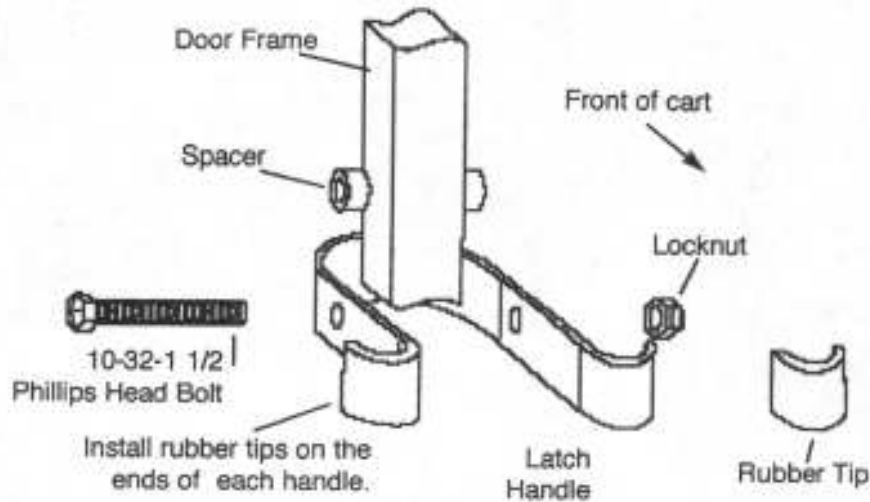
From outside of cart, place the foam filled "over the door" wind break behind the hand hold in roof. Note there is a difference between the left and right sides. Line up the over the door wind break with the top of the header bar, attach to the roof bracket with pieces of the pre-sewn hook and loop.



The dashboard Wind Break™ lies across the dash beneath the windshield to stop wind and drafts.

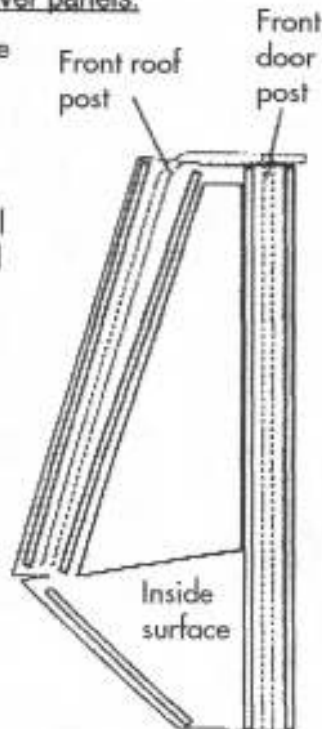


- 5 Using a 10-32 1 1/2" phillips head bolt, a 10-32 lock nut, and two plastic spacers, attach a door latch to each door frame.



6 Installing forward cover panels.

Wrap the edge flaps of the cover panel around the front roof post and the front door post by attaching the hook and loop. Adjust the cover until it is smooth and tight. Seal the bottom of the front panel, attach the 8" piece of adhesive back loop tape to the piece of hook tape sewn near the bottom. While holding in position, peel the paper backing from the adhesive and press against the cart.



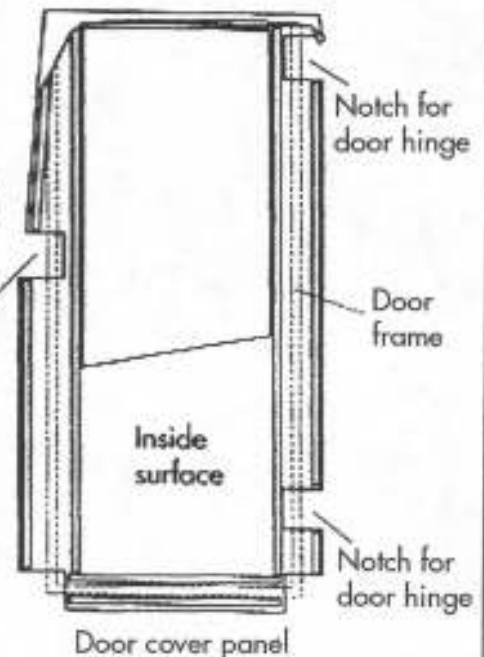
TIP To ensure the best adhesion, clean surface with rubbing alcohol

7 Installing door cover panels.

Place pockets at top of the cover over the corners at the top of the door

Notch for door latch

Wrap the edge flaps of the cover panel around the door frame



8

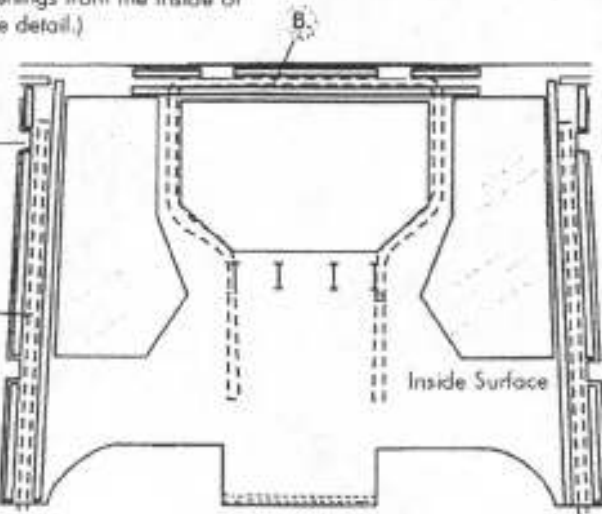
install back cover panel. **A.** First, find the 2 outer openings for cart buckle bracket and 2 slits for straps located below the open window. On the cart, unbuckle the bag-holder straps. Push the buckles and the straps thru the 4 openings from the inside of the cover panel. (See detail.)

NOTCHES FOR DOOR HINGES

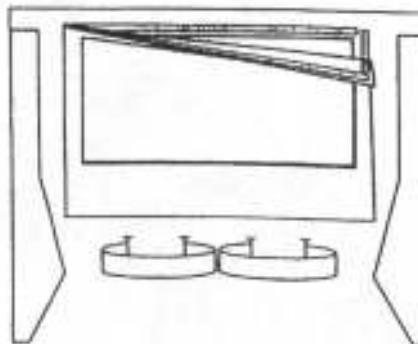
B. Wrap the top edge flap over header and attach hook-and-loop.

C. With doors removed, wrap the side edge flaps around the rear door posts, attach hook-and-loop.

D. Use hook-and-loop straps to secure panel to the rear roof support and seat frame. The flap on the bottom goes under the basket, on the floor, to provide a protected storage space under the basket. Using 20" piece of adhesive back loop; secure the flap to the cart floor, similar to step 12.



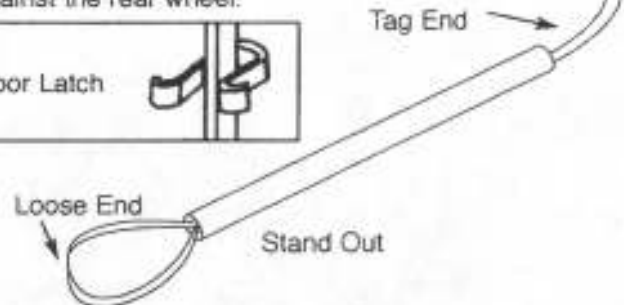
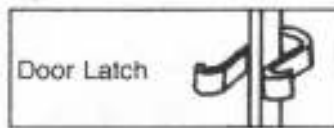
9 Attaching the rear window



Match up the hook-and-loop tape around the edges of the rear window panel and the rear cover panel and press it together.

Using the stand out door holders.

To secure the door open while using the cart the **"stand-out"** prevents the door from rubbing against the rear wheel.

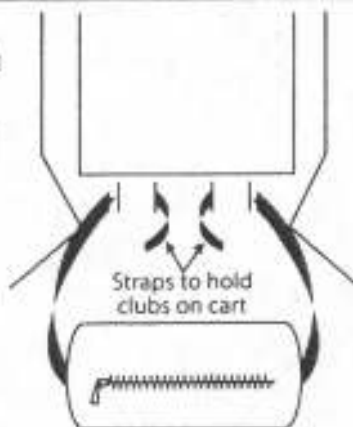


- 1) Open the door to rear of cart. Place the loop of the **"stand-out"** around the door latch, then pull the loose end of the strap to tighten the loop securely around the latch, while holding the PVC pipe.
- 2) To secure the **"stand-out"** to the cart, put the tag end of the stand-out strap **along with** the cart's golf bag strap through the buckle that holds the clubs on the cart. Pull tight and lock buckle. This holds the door open during play while preventing the door from rubbing against the rear wheel.

Dry Club™

After cover is installed, hold Dry Club™ at rear of cart with the zipper on left side.

Insert straps through slots made for the buckle that holds clubs on the cart. Inside cart, under basket, buckle straps together and pull to tighten.



The buckle brackets and the straps of the golf bag holders fit through the openings in the cover panel below the rear window.

FORE CONCEPTS

Office: (417) 442-3996

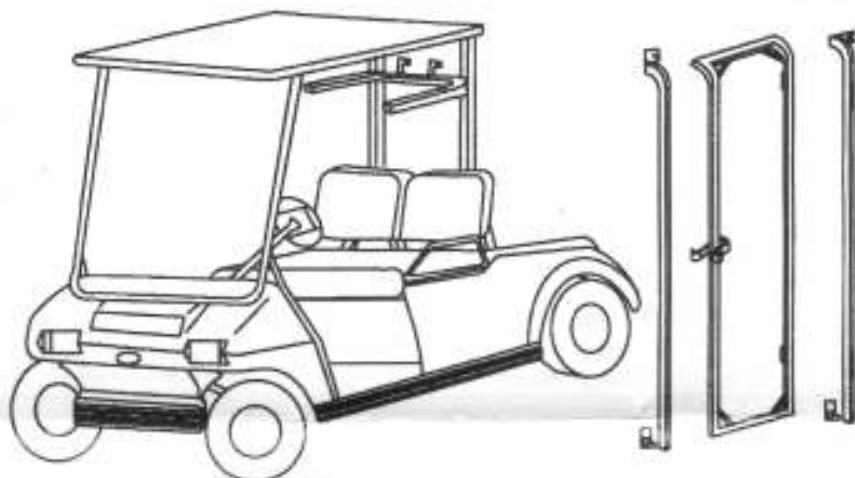
Fax: (417) 442-3112

E-Mail: fabritec@mo-net.com

**CLUB CAR PRE 2000
INSTALLATION
INSTRUCTIONS**
Revision 082306

Before installing your DoorWorks™ enclosure, remove the windshield from the cart. Reattaching the windshield IS THE FINAL STEP. NOTE: After reattaching the windshield

you may notice that your windshield clamp may not work the way it used to. Some windshields are made with clamps mounted on the windshield rather than the roof strut. In this case, the fabric will not allow the clamps to wrap around the front roof strut. This can easily be fixed. You will need to cut a slot in the fabric to allow the windshield clamps to attach around the roof strut. Raise the windshield and locate where the clamps will strike the roof strut - this is where the slot needs to be made. Note there are two lines of stitches used to attach the Velcro®. Next, with a sharp blade, (a razor knife works good) make a cut between the two lines of stitches. You will cut through the fabric and Velcro® on both sides. The stitches are made with a lock-stitch machine, so even if you slip and cut them, they shouldn't continue to ravel. The vinyl material we use is a "rip-stop" style, a little more expensive, but it remains very stable even after it is cut. Sunbrella fabric could fray slightly after cutting, some dealers will seal the edges of Sunbrella with heat (soldering iron works great.)

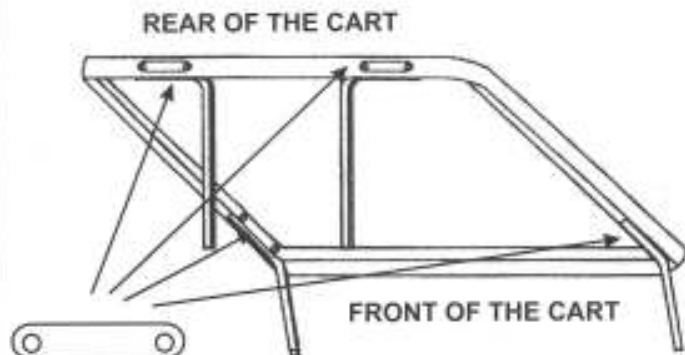


PACKING LIST

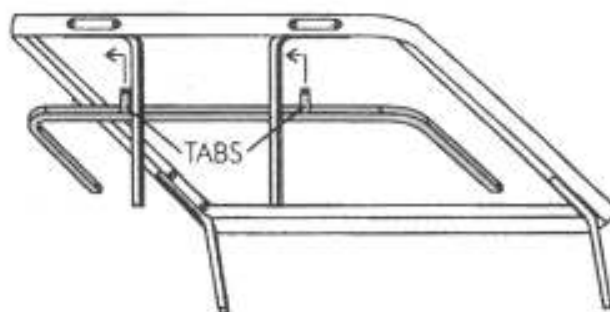
1 U SHAPED HEADER BAR	6 1/4-20 LOCKNUTS	1 WINDOW PANEL
2 REAR DOOR POSTS	2 1/4-20 x 1 1/4" BOLTS	1 DRY CLUB™
2 DOORS	12 1/4" WASHERS	2 STANDOUT STRAPS
2 FRONT DOOR POSTS	4 1/4-20 x 2" BOLTS	
2 DOOR LATCHES	2 10-32 x 1 1/2" BOLTS	
4 VINYL GRIPS	2 10-32 NYLOCK NUTS	
4 PLASTIC SPACERS	3 PIECES OF VELCRO®	
4 "L" BRACKETS OR "J" HOOKS	1 BACK PANEL	
2 3/4" END CAPS	2 FRONT PANELS	
	2 DOOR PANELS	

1 PREPARE THE CART TO ACCEPT THE HEADER BAR

Loosen all 4 bolts holding the roof to the rear supports. This will provide sufficient clearance for the thickness of the tabs of the header and the front door posts.



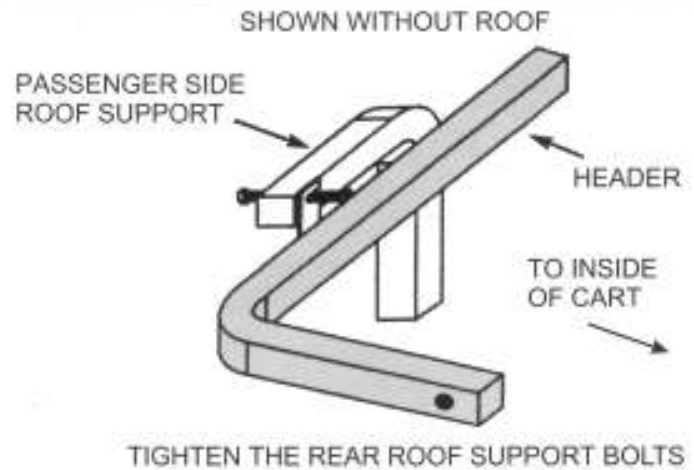
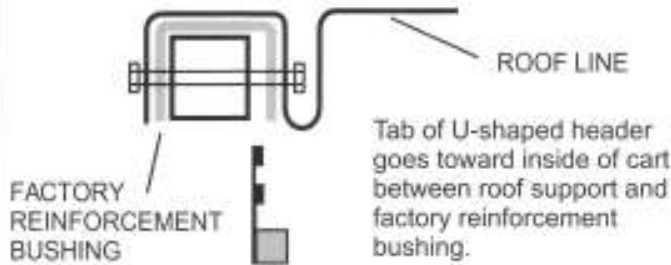
2 INSTALL U SHAPED HEADER BAR



Stand at the rear right side of the roof, position the header underneath the roof with the tabs of the header between the roof and roof supports on the inside of the roof supports. (CONTINUED)

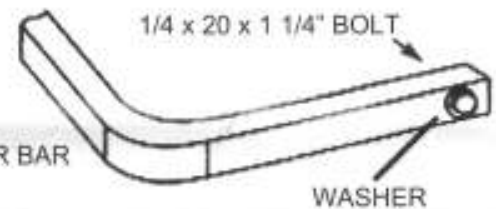
2 INSTALL U SHAPED HEADER BAR (CONTINUED)

Raise the header, then push the tabs between the factory reinforcement bushing and roof support and slide the header to the left until the open slots engage the inner bolt on each side.



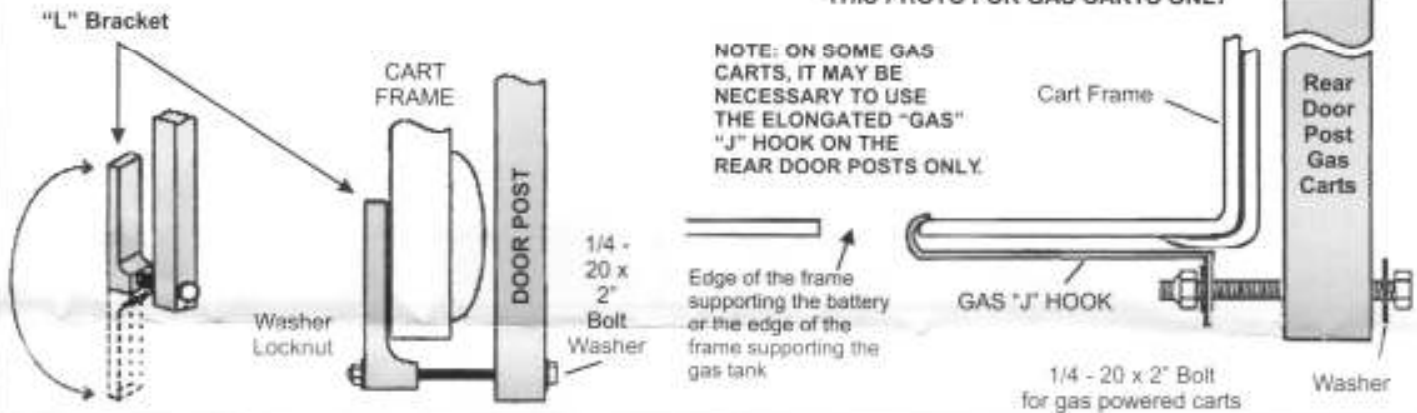
3 ATTACH A 1/4 x 20 x 1 1/4" BOLT & WASHER TO THE U SHAPED HEADER BAR AS SHOWN RIGHT. This bolt and washer will be used to attach the Rear Door Post.

U SHAPED HEADER BAR



4 ATTACH DOOR POST "L" BRACKETS OR "J" HOOKS TO ALL FOUR DOOR POSTS. For electric carts, use 4 "L" brackets as shown below to attach the bottom of the Door Posts to the cart frame. Loosely attach an "L" bracket using a 1/4-20 x 2" bolt and (2) 1/4-20 washers and a Nylock nut. For gas carts, use 2 elongated "J" hooks (shown below right) on the Rear Door Posts ONLY. The "J" hook will attach to the edge of the frame supporting the battery or the edge of the frame supporting the gas tank. Make certain that you are attaching to the metal frame of your cart.

THIS PHOTO FOR GAS CARTS ONLY



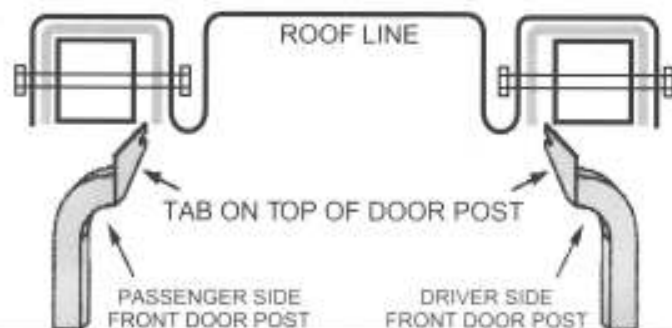
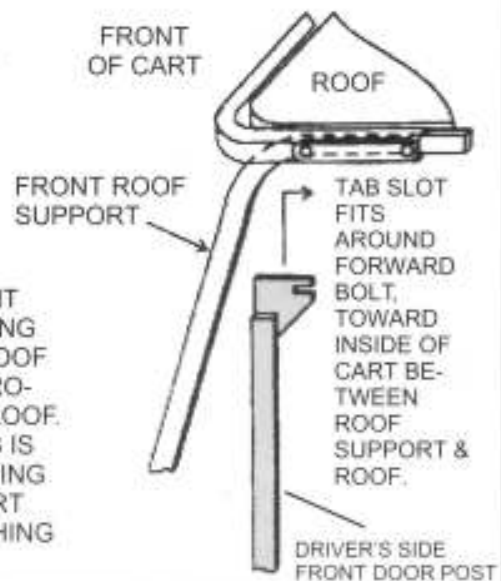
5 INSTALL THE REAR DOOR POST WITH THE DOOR PLACED ON THE HINGES. Place the hinges of the passenger Door onto the corresponding Rear Post. (The correct Rear Post will be the one with the tabs pointing to the rear of the cart. The correct Door will be the Door with the hinges on the LEFT.) Place the tab at the top of the Door Post into the 1/4-20 x 1 1/4" bolt on the Header Bar, center the bolt and the slot, and finger tighten. The correct position of the door post is achieved when the top edge of the door clears the roof and runs parallel with the sloping roof line. While holding the Door Post and Door in position, secure the bottom of the Rear Post to the cart frame with an "L" bracket, 1/4-20 x 2" bolt, washers and Nylock nut (installed in Step 3). Check for proper alignment (the top of the Door Frame should be parallel with the roof line) - then securely tighten all bolts. Repeat the installation on the other side of the cart.



MAKE REAR DOOR POST ADJUSTMENTS HERE



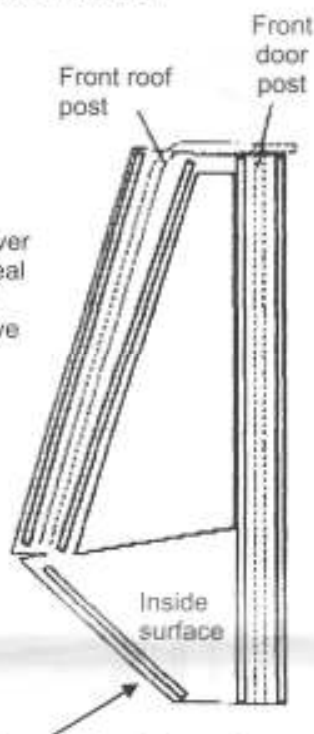
6 INSTALL THE FRONT DOOR POST. Using the "L" brackets, attach the bottom of the Front Door Post in the same way that you attached the rear door post. Then, raise the Door Post up and similar to the way you installed the U Shaped Header Bar tabs, the triangular tabs on the top of the Front Door Post fit between the plastic roof and the roof support toward the inside of the cart. When you loosen the roof bolts, space will be created to insert the tabs. See the photo below to make sure you are inserting the tabs in the correct space. Proper alignment is achieved when you have an approximate 1/4" parallel gap between the Door Frame and the Front Door Post.



FACTORY REINFORCEMENT BUSHING BUSHING FITS AROUND ROOF SUPPORT TO PROTECT PLASTIC ROOF. MAKE SURE TAB IS BETWEEN BUSHING & ROOF SUPPORT AND NOT TOUCHING THE PLASTIC.

7 Install forward cover panels.

Wrap the edge flaps of the cover panel around the front roof post, the header, and the front door post by attaching the hook and loop (Velcro®). Adjust the cover until it is smooth and tight. Seal the bottom of the front panel, attach the 8" piece of adhesive back loop (Velcro®) to the piece of hook sewn near the bottom. While holding in position, peel the paper backing from the adhesive and press against the cart.



TIP To ensure the best adhesion, clean cart surface with rubbing alcohol.

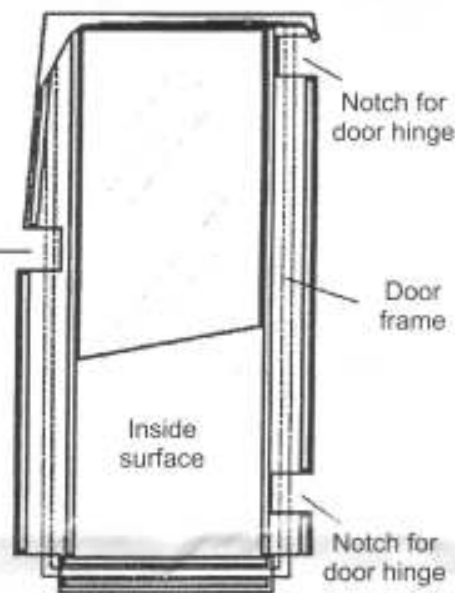
8" adhesive back loop (Velcro®) goes here

8 Install door cover panels.
(TIP: Some people have found it easier to perform Step 8 before Step 7)

Place pockets at top of the cover over the corners at the top of the door.

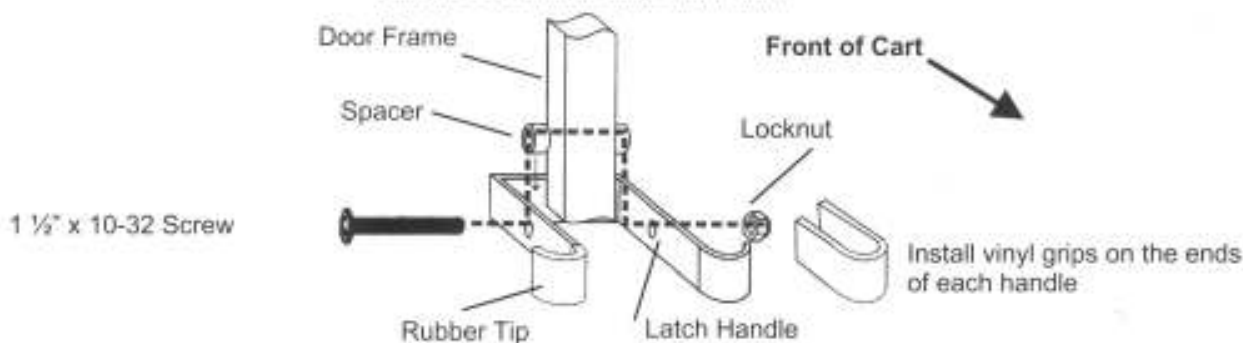
Notch for door latch.

Wrap the edge flaps of the cover panel around the door frame.



P-Side door cover panel

9 Assemble the door latches. Using a 10-32 1 1/2" screw, locknut, and 2 plastic spacers, attach a door latch to each door frame.



10

LOOKING AT THE REAR OF THE CART.

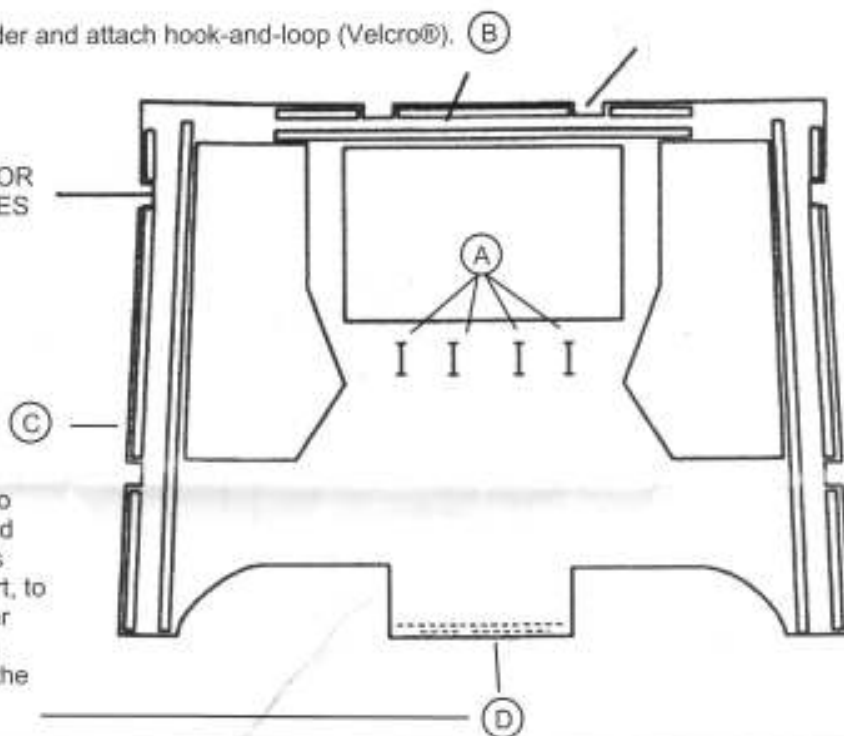
Install back cover panel. A. Find the 2 outer openings for cart buckle and 2 slits for straps located below the open window. On the cart, unbuckle the bag holder straps. Push the buckles and the straps through the 4 openings from the inside of the cover panel. (See detail)

B. Wrap the top edge flap over header and attach hook-and-loop (Velcro®). (B)

NOTCHES FOR
DOOR HINGES

C. With doors removed, wrap the side edge flaps around the rear door posts, attach hook-and-loop (Velcro®).

D. Use hook-and-loop (Velcro®) strips to secure panel to the rear roof support and seat frame. The flap on the bottom goes under the basket, on the body of the cart, to provide a protected storage space under the basket. Using 20" piece of adhesive back loop (Velcro®), secure the flap to the cart body under the basket.



11 The "stand-out strap" secures the door open while driving AND prevents the door from rubbing against the rear wheel.

1) Open the door to rear of cart. Place the loop of the "stand-out strap" around the door latch, then pull the loose end of the strap to tighten the loop securely around the latch, while holding the PVC pipe.

2) To secure the "stand-out strap" to the cart, put this end of the strap ALONG WITH the cart's bag strap through the buckle that holds the clubs on the cart. Pull tight and lock buckle.

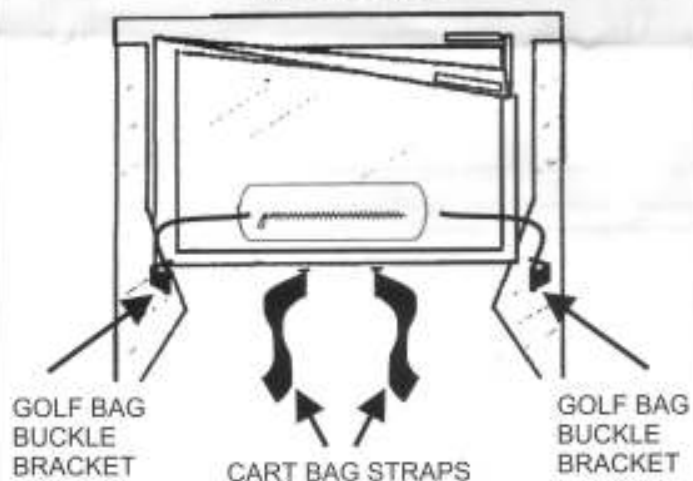
NOTE: Now that you have your new enclosure - you are going to become very popular in bad weather golf. Do not assume that your passenger has used the "Stand-out strap" correctly. Inspect that the strap is tight and that the door cannot rub the rear tire. **DAMAGE TO THE DOOR AS A RESULT OF TIRE RUB IS NOT COVERED BY THE WARRANTY.**

The "stand-out straps" conveniently store inside the DryClub™ cover when not in use.

Velcro® is a registered trademark of Velcro Industries B.V.

12 REAR WINDSHIELD is designed with "loop" (Velcro®) on both sides so that it can be fully attached to the enclosure, or can be rolled up and held in place by the Velcro®. See illustration below.

13 DRY CLUB™ CLUB COVER AND REAR WINDSHIELD ILLUSTRATION



The DryClub™ club cover sits outside the cart above the buckle brackets. The 2 straps enter through the outer openings and connect with each other inside the cart above the sweater basket.

Club Car Pre 2000 Rev 082306 ©ForeConcepts, Inc. 2006 All Rights Reserved.