



INSTALLATION INSTRUCTIONS

**PFX2001 Basic LED Light Kit /
PFX2003 Deluxe LED Light Kit**
Fits Club Car® Precedent (2004 - 2008)

**PFX2002 Basic LED Light Kit /
PFX2004 Deluxe LED Light Kit**
Fits Club Car® Precedent (2008 - Up)



CAUTION: If you choose not to have this product installed by a professional, we highly recommend that you exercise caution, care, and patience when installing this product as it involves cutting holes into your cart's body.

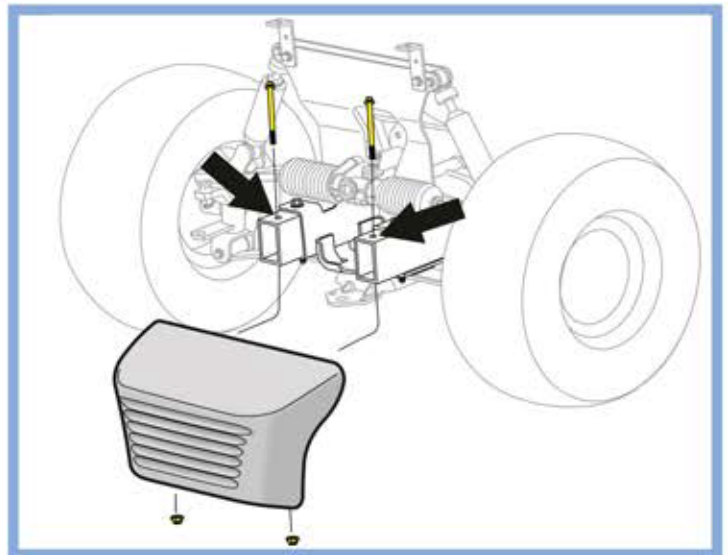
Please read through the instructions carefully. Before starting this project, remove the system's positive and negative connections from the battery or battery pack. This kit is designed for a 12V-48V operation only. Look behind each drill location **BEFORE YOU DRILL**.

Installer is responsible for damage (i.e. drilling into a wiring harness, battery, fuel tank etc.)

Headlight and Taillight Preparation

Headlight Preparation

1. Remove front bumper from the chassis. Retain hardware.



2. On the driver side rear body, measure 2-1/4" from the vertical body line and 1-1/2" from the under body. Mark the location with a center punch. Drill a 1-1/2" hole at the marked location. File any rough edges.

